



TWO STROKE COMPONENTS

2022



VintCo may be a new company, however, VintCo's founders are not new to the Motorcycle aftermarket. Both of us, Curt Leaverton and Evelina Chen, have over 25 years experience in developing new products for the Powersports industry. We first started by making connecting rods for Ossa and Bultaco motorcycles. Then we quickly expanded into manufacturing rods, crankshafts, camshafts, bearing kits, cylinders, and pistons for all modern dirt bikes.

VintCo is exclusively building parts for Vintage 2-stroke motorcycles. For years, riders and mechanics of this market have been ignored but not any more thanks to VintCo.

VintCo makes a wide range of brand-new parts to replace the hard-to-find components you need to keep your vintage bike performing. We are adding more and more products as quickly as possible so hold tight and let us know if there's a part you can't find. We have also included critical dimensions to many of our rods, piston and clutches to help you research your custom needs. We want to get you back on track and keep the ride going.

Thank You,

Curtis Leaverton & Evelina Chen

TABLE OF CONTENTS

Kick Idler Gear	3
Fuel Petcocks	3
Kick Starter Return Spring	3
Crankshafts	3
Connecting Rod Kits	4
Clutch Kits	7
Main Bearing Kits	10
Top End Gasket Kits	12
Bottom End Engine Gasket Kits	14
Oil Seal Kits	16
Piston Kits	17
Top End Piston Kits	31
Clutch Cables	35
Front Brake Cables	36
Rear Brake Cables	37
Front Wheel Bearing Kits	38
Rear Wheel Bearing Kits	39
Wrist Pin Bearings	40
Reed Valve Kits	43
Cylinder Sleeves	46
Connecting Rod Dimension Chart	47
Piston Dimension Chart	48
OSSA	50

Items in red available late fall 2021

KICK IDLER GEARS FOR HONDA CR250



VintCo kick idler gears are made with modern materials and manufacturing techniques to ensure an as good or better than OEM fitment and performance.

Some models have a problematic kick idler gear and VintCo has the solution. These gears can be prone to breaking and have been very hard to find until now. VintCo has solved this dilemma of these unobtainable gears. This newly manufactured kick idle gear from VintCo will help you keep the ride going!

HONDA	Kick Gear	KSA001 CR250 1973-76	Kick Idle Gear.....	89.95
HONDA	Kick Gear	KSA001 MR250 1976	Kick Idle Gear.....	89.95
HONDA	Kick Gear	KSA001 MT250 1974-76	Kick Idle Gear.....	89.95

Fuel Petcocks for Kawasaki KX



VintCo has all new fuel petcock kits to help you keep the ride going! These fuel petcock kits are made with modern materials and manufacturing techniques to ensure an as good or better than OEM fitment and performance. The fuel petcocks are a simple install for a very commonly worn out part on vintage machines. The OEM part numbers are provided as a reference to ensure exact fitment (online at www.vintco.com).

KAWASAKI	F11	(1973-1975)	PEK001.....	69.95
KAWASAKI	F12	1973	PEK001.....	69.95
KAWASAKI	KX125	(1974-1976)	PEK001.....	69.95
KAWASAKI	KX250	(1974-1979)	PEK001.....	69.95
KAWASAKI	KX400	(1975-1976)	PEK001.....	69.95
KAWASAKI	KX450	1974	PEK001.....	69.95

Kick Starter Return Spring for Honda



VintCo reproduction kick starter return springs are made with modern materials and manufacturing techniques to ensure an as good or better than OEM fitment and performance. Some models have a problematic kick starter return spring and VintCo has the solution. The vintage springs can be prone to breaking and have been very hard to find until now. VintCo has solved the dilemma of these unobtainable springs. The OEM part numbers are provided as a reference to ensure exact fitment (online at www.vintco.com). These newly manufactured kick starter return springs from VintCo will help you keep the ride going!

HONDA	CR125	(1974-1978)	SKH01.....	29.95
HONDA	MR175	(1975-1977)	SKH01.....	29.95
HONDA	MT125	(1974-1976)	SKH01.....	29.95

Crankshafts



VintCo has all new reproduction crankshafts completely assembled for your vintage motorcycle that will get you back on track. These complete crankshafts are made with modern materials and manufacturing techniques to ensure an as good or better than OEM fitment and performance. These crankshafts are assembled with a heavy duty forged steel connecting rod with the wrist pin bearing included. Don't waste time rebuilding your old crank when you can get a complete reproduction new crank to drop in. The OEM part numbers are provided as a reference to ensure exact fitment (online at www.vintco.com). This newly manufactured crankshaft from VintCo will help you keep the ride going!

DIRT				
HONDA	CR125	(1974-1975)	CR2005.....	329.95
HONDA	CR125	(1976-1978)	CR2006.....	329.95
HONDA	CR250	(1973-1974)	CR2004.....	359.95
HONDA	CR250	(1978-1980)	CR2008.....	359.95
HONDA	MT125	(1974-1978)	CR2006.....	329.95

DIRT			
MAICO	GS400	(1978-1979)	CR2011.....359.95
MAICO	MC400	(1978-1981)	CR2011.....359.95
MAICO	MC440	(1978-1980)	CR2011.....359.95
MAICO	MC490	1981	CR2011.....359.95

STREET			
KAWASAKI	H2-750	(1972-1975)	CR2009.....1099.95
KAWASAKI	H2-750 Race	(1972-1975)	CR2010.....1199.95

*Note Special 18mm wrist pin version. Requires VintCo Piston PSK03 and wrist pin bearing BNW012

Connecting Rod Kits



VintCo has all new heavy duty connecting rod kits for your vintage 2-stroke machines that will get you back on track. These connecting rod kits will save you money over a new crankshaft. These connecting rod kits are manufactured with heavy duty forged steel and made with modern materials and manufacturing techniques to ensure an as good or better than OEM fitment and performance. Kit includes a rod, crank pin, big end bearing, wrist pin bearing, and two thrush washers. This newly manufactured connecting rod kit from VintCo will help you keep the ride going!

DIRT			
BULTACO	250	(1978-1979)	KR2032.....179.95
BULTACO	360	(1975-1981)	KR2032.....179.95
BULTACO	370	(1975-1981)	KR2032.....179.95
BULTACO	350 Alpina	(1974-1975)	KR2036.....179.95
BULTACO	350 Sherpa T	(1974-1975)	KR2036.....179.95
BULTACO	360 Astro	1974	KR2036.....179.95
BULTACO	360 Fronetra	14300001 to 143023521975	KR2036.....179.95
BULTACO	360 Pursang	1974	KR2036.....179.95
BULTACO	360 Pursang	13600001 to 136013001975	KR2036.....179.95
BULTACO	350 Alpina	1973	KR2045.....179.95
BULTACO	350 Astro	1973	KR2045.....179.95
BULTACO	350 Pursang	(1972-1973)	KR2045.....179.95
BULTACO	350 Sherpa T	1973	KR2045.....179.95
BULTACO	350 TSS	All	KR2046.....179.95
BULTACO	350/360 El Bandido	(1967-1970)	KR2046.....179.95
BULTACO	350/360 El Montadero	(1970-1972)	KR2046.....179.95
CZ	CZ380	(1971-1981)	KR2015.....179.95
HODAKA	COMBAT WOMBAT	1973	KR2016.....169.95
HODAKA	SUPER COMBAT	1974	KR2016.....169.95
HODAKA	WOMBAT	(1972-1973)	KR2016.....169.95
HODAKA	ACE100	(1967-1969)	KR2035.....169.95
HODAKA	ACE100B	(1970-1972)	KR2035.....169.95
HODAKA	Dirt Squirt	(1973-1974)	KR2035.....169.95
HODAKA	Super Rat	(1969-1972)	KR2035.....169.95
HONDA	CR125	(1981-1984)	KR2003.....159.95
HONDA	CR125	(1974-1978)	KR2005.....159.95
HONDA	CR125	(1979-1980)	KR2037.....159.95
HONDA	CR125	(1985-1987)	KR2047.....89.95
HONDA	CR125	(1988-2007)	KR2048.....89.95
HONDA	CR250	(1973-1974)	KR2004.....169.95
HONDA	CR250	(1975-1976)	KR2007.....169.95
HONDA	CR250	(1978-1980)	KR2027.....169.95
HONDA	CR250	(1981-2001)	KR2043.....169.95
HONDA	CR500	(1984-1986)	KR2033.....179.95
HONDA	CR500	(1987-2001)	KR2049.....109.95
HONDA	CR80R	(1986-2002)	KR2050.....79.95
HONDA	CR80RB	(1996-2002)	KR2050.....79.95

HONDA	MR250	1976	KR2007.....	169.95
HONDA	MT125	(1974-1978)	KR2005.....	159.95
HONDA	MT125	1977	KR2005.....	159.95
HONDA	MT250	(1974-1976)	KR2034.....	169.95
HUSQVARNA	250	(1962-1971)	KR2023.....	179.95
HUSQVARNA	360 AUTO	(1976-1977)	KR2017.....	179.95
HUSQVARNA	390ACC	(1979-1980)	KR2017.....	179.95
HUSQVARNA	390AMX	1978	KR2017.....	179.95
HUSQVARNA	CR125	1972	KR2021.....	159.95
HUSQVARNA	CR125	(1974-1986)	KR2022.....	159.95
HUSQVARNA	CR250	(1978-1986)	KR2017.....	179.95
HUSQVARNA	CR250	1972	KR2023.....	179.95
HUSQVARNA	CR250	(1973-1977)	KR2024.....	179.95
HUSQVARNA	CR250 MAG	(1974-1977)	KR2024.....	179.95
HUSQVARNA	CR360	(1972-1976)	KR2017.....	179.95
HUSQVARNA	CR390	(1977-1980)	KR2017.....	179.95
HUSQVARNA	CR400	(1972-1974)	KR2017.....	179.95
HUSQVARNA	CR400	1986	KR2018.....	179.95
HUSQVARNA	CR430	(1981-1986)	KR2018.....	179.95
HUSQVARNA	CR450	(1972-1975)	KR2025.....	179.95
HUSQVARNA	OR250	(1978-1980)	KR2017.....	179.95
HUSQVARNA	OR390	(1978-1980)	KR2017.....	179.95
HUSQVARNA	RT360	(1973-1975)	KR2025.....	179.95
HUSQVARNA	SC125	1974	KR2021.....	159.95
HUSQVARNA	WR125	(1972-1973)	KR2021.....	159.95
HUSQVARNA	WR125	(1974-1987)	KR2022.....	159.95
HUSQVARNA	WR250	(1978-1986)	KR2017.....	179.95
HUSQVARNA	WR250	(1972-1973)	KR2023.....	179.95
HUSQVARNA	WR250	(1974-1977)	KR2024.....	179.95
HUSQVARNA	WR360	(1976-1977)	KR2017.....	179.95
HUSQVARNA	WR390	(1978-1980)	KR2017.....	179.95
HUSQVARNA	WR400	(1974-1975)	KR2017.....	179.95
HUSQVARNA	WR400	(1984-1986)	KR2018.....	179.95
HUSQVARNA	WR430	(1981-1986)	KR2018.....	179.95
HUSQVARNA	WR450	(1972-1975)	KR2025.....	179.95
HUSQVARNA	XC125	(1984-1986)	KR2022.....	159.95
HUSQVARNA	XC250	(1981-1986)	KR2017.....	179.95
HUSQVARNA	XC430	(1981-1983)	KR2018.....	179.95
KAWASAKI	KDX175	(1980-1982)	KR2008.....	159.95
KAWASAKI	KDX200	1983	KR2008.....	159.95
KAWASAKI	KDX250	(1980-1994)	KR2014.....	169.95
KAWASAKI	KDX80	(1982-1988)	KR2051.....	89.95
KAWASAKI	KT250	(1975-1976)	KR2038.....	169.95
KAWASAKI	KX100	(1995-1997)	KR2051.....	89.95
KAWASAKI	KX125	(1978-1993)	KR2008.....	159.95
KAWASAKI	KX250	(1978-2008)	KR2014.....	169.95
KAWASAKI	KX250	(1974-1976)	KR2038.....	169.95
KAWASAKI	KX80	(1982-1987)	KR2051.....	89.95
KAWASAKI	KX80 US Bore	(1988-1997)	KR2051.....	89.95
KTM	390	(1979-1981)	KR2029.....	179.95
KTM	420	(1980-1981)	KR2029.....	179.95
KTM	495	1981	KR2029.....	179.95
MAICO	GS400	(1978-1979)	KR2012.....	179.95
MAICO	GS440	(1978-1979)	KR2012.....	179.95
MAICO	MC360	(1968-1969)	KR2012.....	179.95
MAICO	MC400	(1970-1981)	KR2012.....	179.95

MAICO	MC440	(1974-1980)	KR2012.....	179.95
MAICO	MC490	1981	KR2012.....	179.95
SUZUKI	PE250	(1977-1979)	KR2019.....	169.95
SUZUKI	PE250	(1980-1981)	KR2030.....	169.95
SUZUKI	RM125	(1984-1986)	KR2003.....	159.95
SUZUKI	RM125	(1988-1996)	KR2055.....	89.95
SUZUKI	RM250	(1976-1978)	KR2019.....	169.95
SUZUKI	RM250	(1979-1980)	KR2020.....	169.95
SUZUKI	RM250	(1986-1995)	KR2056.....	99.95
SUZUKI	RM370	(1976-1977)	KR2026.....	179.95
SUZUKI	RM400	1978	KR2026.....	179.95
SUZUKI	RM465	(1981-1982)	KR2041.....	259.95
SUZUKI	RM500	(1983-1984)	KR2040.....	259.95
SUZUKI	RS250	(1980-1981)	KR2030.....	169.95
YAMAHA	AT1	(1969-1971)	KR2006.....	159.95
YAMAHA	AT2	1972	KR2006.....	159.95
YAMAHA	AT3	(1972-1973)	KR2006.....	159.95
YAMAHA	ATM1	1970	KR2006.....	159.95
YAMAHA	CT1	(1969-1971)	KR2006.....	159.95
YAMAHA	CT2	1972	KR2006.....	159.95
YAMAHA	CT3	(1972-1973)	KR2006.....	159.95
YAMAHA	DT125	(1974-1975)	KR2006.....	159.95
YAMAHA	DT175	(1974-1975)	KR2006.....	159.95
YAMAHA	DT250	(1975-1979)	KR2013.....	169.95
YAMAHA	DT360	1974	KR2031.....	179.95
YAMAHA	IT125	(1980-1981)	KR2006.....	159.95
YAMAHA	IT175	(1977-1982)	KR2006.....	159.95
YAMAHA	IT250	(1977-1982)	KR2013.....	169.95
YAMAHA	IT400	(1976-1978)	KR2031.....	179.95
YAMAHA	IT465	1981	KR2028.....	179.95
YAMAHA	MX125	(1974-1976)	KR2006.....	159.95
YAMAHA	MX175	(1974-1975)	KR2006.....	159.95
YAMAHA	MX250	1975	KR2013.....	169.95
YAMAHA	MX360	(1973-1974)	KR2031.....	179.95
YAMAHA	RT1	(1970-1971)	KR2031.....	179.95
YAMAHA	RT2	1972	KR2031.....	179.95
YAMAHA	RT3	1973	KR2031.....	179.95
YAMAHA	TY175	(1974-1975)	KR2006.....	159.95
YAMAHA	TY250	(1976-1977)	KR2013.....	169.95
YAMAHA	YZ100	(1977-1981)	KR2006.....	159.95
YAMAHA	YZ125	(1974-1979)	KR2006.....	159.95
YAMAHA	YZ125	(1986-1996)	KR2054.....	89.95
YAMAHA	YZ175	1976	KR2006.....	159.95
YAMAHA	YZ250	(1976-1981)	KR2013.....	169.95
YAMAHA	YZ250	(1983-1989)	KR2031.....	179.95
YAMAHA	YZ360	(1974-1975)	KR2031.....	179.95
YAMAHA	YZ400	(1976-1978)	KR2031.....	179.95
YAMAHA	YZ465	(1980-1981)	KR2028.....	179.95
3/4 Wheelers				
HONDA	ATC250R	(1981-1984)	KR2039.....	169.95
HONDA	ATC250R	(1985-1986)	KR2043.....	169.95
HONDA	FL250 (ODYSSEY)	(1977-1984)	KR2034.....	169.95
Street				
KAWASAKI	H1-500	(1969-1975)	KR2042.....	139.95
KAWASAKI	H2-750	(1972-1975)	KR2009.....	189.95
KAWASAKI	H2-750 Race	(1972-1975)	KR2010.....	189.95
KAWASAKI	KH500	1976	KR2042.....	139.95
YAMAHA	TZ125	1980	KR2006.....	159.95

Clutch Kits



VintCo has all new clutch plate kits for your vintage motorcycle that will get you back on track. These clutch kits include the steel plates, friction plates and springs. The VintCo clutch kits are made with modern materials and manufacturing techniques to ensure an as good or better than OEM fitment and performance. These clutch cork friction plates are infused with aluminum particles designed to ensure smooth power delivery and fade free performance.

DIRT

HONDA	CR125	(1974-1978)	KCLH01	89.95
HONDA	CR125	(1979-1980)	KCLH02	89.95
HONDA	CR125	1981	KCLH03	89.95
HONDA	CR125	1982	KCLH07	99.85
HONDA	CR125	(1983-1984)	KCLH08	99.85
HONDA	CR125	1985	KCLH09	99.85
HONDA	CR125	(1986-1999)	KCLH10	99.85
HONDA	CR125	(2000-2007)	KCLH11	99.85
HONDA	CR250	(1973-1976)	KCLH04	99.95
HONDA	CR250	(1978-1980)	KCLH05	99.95
HONDA	CR250	(1981-1982)	KCLH06	99.95
HONDA	CR250	1983	KCLH13	99.85
HONDA	CR250	(1984-1989)	KCLH14	99.85
HONDA	CR250	(1990-1993)	KCLH15	99.85
HONDA	CR250	(1994-2007)	KCLH16	99.85
HONDA	CR450	1981	KCLH06	99.95
HONDA	CR480	1982	KCLH06	99.95
HONDA	CR480	1983	KCLH17	99.85
HONDA	CR500	(1984-1989)	KCLH18	99.85
HONDA	CR500	(1990-2001)	KCLH19	99.85
HONDA	CR60R	(1983-1984)	KCLH20	89.95
HONDA	CR80R	(1980-1982)	KCLH20	89.95
HONDA	CR80R	1983	KCLH21	89.95
HONDA	CR80R	(1984-2002)	KCLH22	89.95
HONDA	CR80RB	(1996-2002)	KCLH22	89.95
HONDA	CR85R	(2003-2004)	KCLH22	89.95
HONDA	CR85RB	(2003-2004)	KCLH22	89.95
HONDA	MR175	(1975-1977)	KCLH01	89.95
HONDA	MR250	1976	KCLH04	99.95
HONDA	MT250	(1974-1976)	KCLH04	99.95
KAWASAKI	KD80	(1975-1990)	KCLK25	89.95
KAWASAKI	KDX250	(1980-1981)	KCLK03	89.95
KAWASAKI	KDX250	(1982-1984)	KCLK15	99.95
KAWASAKI	KDX250	(1991-1994)	KCLK19	99.95
KAWASAKI	KDX400	(1979-1980)	KCLK04	99.95
KAWASAKI	KDX420	1981	KCLK04	99.95
KAWASAKI	KDX450	1982	KCLK04	99.95
KAWASAKI	KDX80	(1982-1988)	KCLK24	89.95
KAWASAKI	KDX80	(1980-1981)	KCLK25	89.95
KAWASAKI	KE100	(1977-2001)	KCLK25	89.95
KAWASAKI	KX125	(1978-1982)	KCLK01	89.95
KAWASAKI	KX125	(1974-1976)	KCLK06	99.95
KAWASAKI	KX125	(1983-1984)	KCLK07	99.95
KAWASAKI	KX125	(1985-1987)	KCLK08	99.95
KAWASAKI	KX125	1988	KCLK09	99.95
KAWASAKI	KX125	1989	KCLK10	99.95
KAWASAKI	KX125	(1990-1992)	KCLK11	99.95

KAWASAKI	KX125	1993	KCLK12	99.95
KAWASAKI	KX125	(1994-2002)	KCLK13	99.95
KAWASAKI	KX125	(2003-2005)	KCLK14	99.95
KAWASAKI	KX250	(1974-1979)	KCLK02	89.95
KAWASAKI	KX250	(1980-1981)	KCLK03	89.95
KAWASAKI	KX250	(1982-1984)	KCLK15	99.95
KAWASAKI	KX250	1985	KCLK16	99.95
KAWASAKI	KX250	1986	KCLK17	99.95
KAWASAKI	KX250	(1987-1990)	KCLK18	99.95
KAWASAKI	KX250	1991	KCLK19	99.95
KAWASAKI	KX250	(1992-2007)	KCLK20	99.95
KAWASAKI	KX420	(1980-1981)	KCLK04	99.95
KAWASAKI	KX500	(1983-1984)	KCLK21	99.95
KAWASAKI	KX500	(1985-1986)	KCLK22	99.95
KAWASAKI	KX500	(1987-2004)	KCLK23	99.95
KAWASAKI	KX60	(1983-2004)	KCLK24	89.95
KAWASAKI	KX80	(1981-1984)	KCLK24	89.95
KAWASAKI	KX80	(1979-1980)	KCLK25	89.95
*MAICO	250	(1969-1981)	KCLM01	159.95
*MAICO	400	(1976-1981)	KCLM01	159.95
*MAICO	440	(1977-1981)	KCLM01	159.95
*MAICO	490	1981	KCLM01	159.95
SUZUKI	DR100	(1983-1990)	KCLS13	89.95
SUZUKI	DR125	(1982-1984)	KCLS13	89.95
SUZUKI	DR350	(1990-1999)	KCLS28	99.95
SUZUKI	DR370	(1978-1979)	KCLS09	99.95
SUZUKI	DS100	(1978-1981)	KCLS04	89.95
SUZUKI	DS125	(1979-1981)	KCLS04	89.95
SUZUKI	DS185	(1978-1980)	KCLS01	89.95
SUZUKI	DS80	(1978-1982)	KCLS11	89.95
SUZUKI	PE175	(1978-1984)	KCLS02	99.95
SUZUKI	PE250	(1977-1979)	KCLS05	89.95
SUZUKI	PE250	(1980-1981)	KCLS06	89.95
SUZUKI	PE400	(1980-1981)	KCLS25	99.95
SUZUKI	RM100	1976	KCLS01	89.95
SUZUKI	RM100	(1977-1978)	KCLS02	99.95
SUZUKI	RM100	(1979-1981)	KCLS03	89.95
SUZUKI	RM100	1983	KCLS12	89.95
SUZUKI	RM125	1975	KCLS01	89.95
SUZUKI	RM125	(1976-1978)	KCLS02	99.95
SUZUKI	RM125	(1979-1980)	KCLS03	89.95
SUZUKI	RM125	(1981-1982)	KCLS14	99.95
SUZUKI	RM125	(1983-1985)	KCLS15	99.95
SUZUKI	RM125	1984	KCLS16	99.95
SUZUKI	RM125	(1986-1987)	KCLS17	99.95
SUZUKI	RM125	(1988-1991)	KCLS18	99.95
SUZUKI	RM125	(1992-2000)	KCLS19	99.95
SUZUKI	RM250	(1976-1978)	KCLS05	89.95
SUZUKI	RM250	(1979-1985)	KCLS06	89.95
SUZUKI	RM250	(1986-1987)	KCLS20	99.95
SUZUKI	RM250	(1988-1995)	KCLS21	99.95
SUZUKI	RM250	(1990-1991)	KCLS22	99.95
SUZUKI	RM250	(1992-1993)	KCLS23	99.95
SUZUKI	RM250	(1996-2002)	KCLS24	99.95
SUZUKI	RM370	(1976-1977)	KCLS07	99.95
SUZUKI	RM400	1978	KCLS07	99.95
SUZUKI	RM400	(1979-1980)	KCLS08	99.95

SUZUKI	RM465	(1981-1982)	KCLS26	99.95
SUZUKI	RM500	(1983-1984)	KCLS26	99.95
SUZUKI	RM60	(1979-1983)	KCLS12	89.95
SUZUKI	RM80	(1977-1983)	KCLS11	89.95
SUZUKI	RM80	(1978-1981)	KCLS12	89.95
SUZUKI	RM80	(1984-1985)	KCLS13	89.95
SUZUKI	RMX250	(1989-1991)	KCLS22	99.95
SUZUKI	RS175	(1980-1982)	KCLS02	99.95
SUZUKI	RS250	(1980-1981)	KCLS06	89.95
SUZUKI	SP100	1983	KCLS13	89.95
SUZUKI	SP125	(1982-1983)	KCLS13	89.95
SUZUKI	SP370	(1978-1979)	KCLS09	99.95
SUZUKI	TM400	(1971-1975)	KCLS10	99.95
SUZUKI	TS100	(1978-1979)	KCLS04	89.95
SUZUKI	TS125	(1978-1979)	KCLS04	89.95
SUZUKI	TS185	(1977-1981)	KCLS01	89.95
YAMAHA	IT250	(1981-1982)	KCLY04	99.95
YAMAHA	IT250	(1979-1980)	KCLY07	89.95
YAMAHA	IT250	1983	KCLY14	99.95
YAMAHA	IT425	1980	KCLY09	99.95
YAMAHA	IT465	(1981-1982)	KCLY04	99.95
YAMAHA	IT490	(1983-1984)	KCLY14	99.95
YAMAHA	YZ125	(1976-1980)	KCLY01	89.95
YAMAHA	YZ125	1981	KCLY02	89.95
YAMAHA	YZ125	(1983-1985)	KCLY10	99.95
YAMAHA	YZ125	(1986-1987)	KCLY11	99.95
YAMAHA	YZ125	1988	KCLY12	99.95
YAMAHA	YZ125	(1989-1990)	KCLY13	99.95
YAMAHA	YZ250	(1974-1975)	KCLY03	89.95
YAMAHA	YZ250	1976	KCLY05	99.95
YAMAHA	YZ250	(1977-1978)	KCLY06	89.95
YAMAHA	YZ250	1979	KCLY07	89.95
YAMAHA	YZ250	(1980-1981)	KCLY08	99.95
YAMAHA	YZ250	(1982-1987)	KCLY14	99.95
YAMAHA	YZ360	(1974-1975)	KCLY03	89.95
YAMAHA	YZ400	(1976-1979)	KCLY09	99.95
YAMAHA	YZ465	(1980-1981)	KCLY04	99.95
YAMAHA	YZ490	(1982-1994)	KCLY14	99.95
YAMAHA	YZ80	(1974-1975)	KCLY15	89.95
YAMAHA	YZ80	(1976-1977)	KCLY16	89.95
YAMAHA	YZ80	(1978-1979)	KCLY17	89.95
YAMAHA	YZ80	1980	KCLY18	89.95
YAMAHA	YZ80	(1981-1985)	KCLY19	89.95
YAMAHA	YZ80	(1986-1992)	KCLY20	89.95
YAMAHA	YZ80	(1993-1994)	KCLY21	89.95
YAMAHA	YZ80	(1995-2001)	KCLY22	89.95

3/4 Wheeler

HONDA	ATC250R	(1981-1984)	KCLH05	99.95
HONDA	ATC250R	(1985-1986)	KCLH12	99.85
SUZUKI	LT250R <small>Quadracer</small>	(1987-1992)	KCLS27	99.95
YAMAHA	YFS200 <small>Blaster</small>	(1988-2006)	KCLY23	89.95

STREET

HONDA	MB5	1982	KCLH23	89.95
HONDA	NS50F	1990	KCLH23	89.95
HONDA	NSR50R	(2004-2004)	KCLH20	89.95

KAWASAKI	H1-500	(1969-1975)	KCLK05	109.95
KAWASAKI	KH500	1976	KCLK05	109.95
SUZUKI	GN125	(1983-1997)	KCLS13	89.95
SUZUKI	GS250T	(1980-1981)	KCLS14	89.95
SUZUKI	GS300L	(1982-1985)	KCLS16	89.95
SUZUKI	Gt185	(1973-1977)	KCLS01	89.95

Main Bearing Kits



VintCo has all new main bearing kits to help you keep the ride going! These main bearing kits are made with modern materials and manufacturing techniques to ensure an as good or better than OEM fitment and performance. These VintCo main bearing kits have bearings made in Japan and include the main seals as well. The OEM part numbers are provided as a reference to ensure exact fitment (online at www.vintco.com). These newly manufactured main bearing kits from VintCo will help you keep the ride going!

HONDA	CR125	(1974-1978)	KMB001	42.95
HONDA	CR125	1979	KMB002	24.95
HONDA	CR125	(1980-1985)	KMB003	32.95
HONDA	CR125	(1986-2007)	KMB030	49.95
HONDA	CR250	(1973-1976)	KMB004	44.95
HONDA	CR250	(1978-1980)	KMB005	44.95
HONDA	CR250	(1981-1983)	KMB006	42.95
HONDA	CR250	(1984-1991)	KMB034	49.95
HONDA	CR250	(1992-2007)	KMB032	49.95
HONDA	CR450	1981	KMB006	42.95
HONDA	CR480	(1982-1983)	KMB006	42.95
HONDA	CR500	(1984-2001)	KMB034	49.95
HONDA	CR80R	(1985-2002)	KMB031	39.95
HONDA	CR80RB	(1996-2002)	KMB031	39.95
HONDA	CR85R	(2003-2007)	KMB031	39.95
HONDA	CR85RB	(2003-2007)	KMB031	39.95
HONDA	MR175	(1975-1977)	KMB001	42.95
HONDA	MR250	1976	KMB004	44.95
HONDA	MT125	(1974-1978)	KMB001	42.95
HONDA	MT125	1977	KMB001	42.95
HONDA	MT250	(1974-1976)	KMB004	44.95
KAWASAKI	KD125	(1975-1979)	KMB007	24.95
KAWASAKI	KDX175	(1980-1982)	KMB009	42.95
KAWASAKI	KDX200	(1983-1989)	KMB009	42.95
KAWASAKI	KDX250	(1981-1984)	KMB011	42.95
KAWASAKI	KE125	(1977-1983)	KMB007	24.95
KAWASAKI	KS125	(1974-1975)	KMB007	24.95
KAWASAKI	KT250	(1975-1976)	KMB010	42.95
KAWASAKI	KX125	(1974-1976)	KMB007	24.95
KAWASAKI	KX125	(1978-1979)	KMB008	24.95
KAWASAKI	KX125	(1980-1981)	KMB009	42.95
KAWASAKI	KX250	(1974-1979)	KMB010	42.95
KAWASAKI	Kx250	(1980-1986)	KMB011	42.95
MAICO	GS400	(1978-1979)	KMB028	99.95
MAICO	GS440	(1978-1979)	KMB028	99.95
MAICO	MC250	(1972-1974)	KMB026	69.95
MAICO	MC250	(1975-1976)	KMB027	69.95
MAICO	MC250	(1977-1981)	KMB028	99.95
MAICO	MC400	(1972-1975)	KMB026	69.95
MAICO	MC400	(1975.5-1975.5)	KMB027	69.95
MAICO	MC400	(1976-1981)	KMB028	99.95

MAICO	MC440	(1973-1975)	KMB026	69.95
MAICO	MC440	(1975.5-1975.5)	KMB027	69.95
MAICO	MC440	(1976-1980)	KMB028	99.95
MAICO	Mc490	1981	KMB028	99.95
SUZUKI	DS100	(1978-1981)	KMB014	29.95
SUZUKI	DS125	(1979-1981)	KMB014	29.95
SUZUKI	PE175	(1978-1979)	KMB015	24.95
SUZUKI	PE175	(1980-1984)	KMB016	25.95
SUZUKI	PE250	(1977-1979)	KMB018	54.95
SUZUKI	PE250	(1980-1981)	KMB019	54.95
SUZUKI	PE400	(1980-1981)	KMB022	38.95
SUZUKI	RM100	1977	KMB015	24.95
SUZUKI	RM100	(1979-1981)	KMB016	25.95
SUZUKI	RM100	1976	KMB014	29.95
SUZUKI	RM125	(1976-1978)	KMB015	24.95
SUZUKI	RM125	1981	KMB017	24.95
SUZUKI	RM125	(1979-1980)	KMB016	25.95
SUZUKI	RM125	1975	KMB014	29.95
SUZUKI	RM250	(1976-1978)	KMB018	54.95
SUZUKI	RM250	(1979-1980)	KMB019	54.95
SUZUKI	RM250	1981	KMB020	54.95
SUZUKI	RM370	(1976-1977)	KMB021	32.95
SUZUKI	RM400	1978	KMB021	32.95
SUZUKI	RM400	(1979-1980)	KMB022	38.95
SUZUKI	RS175	(1980-1982)	KMB016	25.95
SUZUKI	RS250	(1980-1981)	KMB019	54.95
SUZUKI	TS100	(1978-1981)	KMB014	29.95
SUZUKI	Ts125	(1978-1981)	KMB014	29.95
YAMAHA	AT1	(1969-1971)	KMB023	20.95
YAMAHA	AT1MX	1971	KMB023	20.95
YAMAHA	AT2	1972	KMB023	20.95
YAMAHA	AT3	(1972-1973)	KMB023	20.95
YAMAHA	ATM1	1970	KMB023	20.95
YAMAHA	CT1	(1969-1971)	KMB023	20.95
YAMAHA	CT2	1972	KMB023	20.95
YAMAHA	CT3	(1972-1973)	KMB023	20.95
YAMAHA	DT125	(1974-1981)	KMB023	20.95
YAMAHA	DT175	(1974-1981)	KMB023	20.95
YAMAHA	DT250	(1975-1979)	KMB025	54.95
YAMAHA	IT125	(1980-1981)	KMB024	19.95
YAMAHA	IT175	(1977-1979)	KMB024	19.95
YAMAHA	IT175	(1980-1983)	KMB024	19.95
YAMAHA	IT250	(1977-1983)	KMB025	54.95
YAMAHA	IT400	(1976-1979)	KMB029	29.95
YAMAHA	IT425	1980	KMB029	29.95
YAMAHA	IT465	1981	KMB029	29.95
YAMAHA	MX125	1976	KMB023	20.95
YAMAHA	MX175	(1974-1975)	KMB023	20.95
YAMAHA	MX175	(1979-1981)	KMB023	20.95
YAMAHA	MX250	1975	KMB025	54.95
YAMAHA	MX400	1975	KMB029	29.95
YAMAHA	TY175	1975	KMB023	20.95
YAMAHA	TY250	(1974-1977)	KMB025	54.95
YAMAHA	YZ100	(1977-1981)	KMB024	19.95
YAMAHA	YZ100	(1982-1983)	KMB023	20.95
YAMAHA	YZ125	(1974-1977)	KMB023	20.95
YAMAHA	YZ125	(1978-1979)	KMB024	19.95

YAMAHA	YZ125	(1980-1985)	KMB024	19.95
YAMAHA	YZ125X	1976	KMB024	19.95
YAMAHA	YZ175	1976	KMB024	19.95
YAMAHA	YZ250	(1976-1987)	KMB025	54.95
YAMAHA	YZ400	(1976-1979)	KMB029	29.95
YAMAHA	YZ465	(1980-1981)	KMB029	29.95

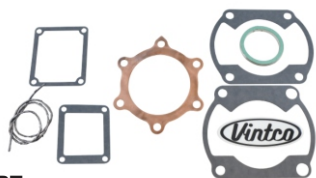
3/4 Wheeler

HONDA	ATC250R	(1981-1984)	KMB005	44.95
HONDA	ATC250R	(1985-1986)	KMB033	49.95

STREET

KAWASAKI	H1-500	(1969-1975)	KMB012	15.95
KAWASAKI	H2-750	(1972-1975)	KMB013	15.95
KAWASAKI	H2-750 Race	(1972-1975)	KMB013	15.95
KAWASAKI	Kh500	1976	KMB012	15.95
YAMAHA	TZ125	1980	KMB024	19.95

Top-End Gasket Kits



VintCo has all new top end gasket kits to help you keep the ride going! These gaskets are made with modern materials and manufacturing techniques to ensure an as good or better than OEM fitment and performance. The top end gaskets kits have all of the critical gaskets you need to complete your top end build with ease. The OEM part numbers are provided as a reference to ensure exact fitment (online at www.vintco.com).

DIRT

HONDA	CR125	(1974-1975)	KTE001	43.95
HONDA	CR125	(1976-1978)	KTE004	33.95
HONDA	CR125	1979	KTE006	39.95
HONDA	CR125	1980	KTE007	44.95
HONDA	CR125	1981	KTE049	40.95
HONDA	CR250	(1973-1974)	KTE008	33.95
HONDA	CR250	(1975-1976)	KTE009	32.95
HONDA	CR250	(1978-1980)	KTE010	31.95
HONDA	CR250	(1981-1982)	KTE050	40.95
HONDA	CR450	1981	KTE066	22.95
HONDA	CR80R	(1980-1981)	KTE065	24.95
HONDA	MT125	(1974-1976)	KTE067	19.95
HONDA	MT125	1977	KTE001	43.95
HONDA	MT250	(1974-1976)	KTE068	24.95
HUSQVARNA	CR250	(1974-1977)	KTE051	19.95
HUSQVARNA	CR250	(1978-1979)	KTE052	19.95
HUSQVARNA	CR250	(1980-1981)	KTE053	19.95
KAWASAKI	KX125	(1974-1976)	KTE014	25.95
KAWASAKI	KX125	(1978-1979)	KTE015	38.95
KAWASAKI	KX125	1980	KTE054	26.95
KAWASAKI	KX125	1981	KTE055	39.95
KAWASAKI	KX250	(1974-1976)	KTE016	26.95
KAWASAKI	KX250	(1978-1979)	KTE017	44.95
KAWASAKI	Kx250	(1980-1981)	KTE018	33.95
MAICO	GS400	(1978-1979)	KTE059	30.95
MAICO	GS440	(1978-1979)	KTE061	39.95
MAICO	MC250	(1973-1980)	KTE057	52.95
MAICO	MC250	1981	KTE058	59.95
MAICO	MC400	(1974-1980)	KTE059	30.95
MAICO	MC400	1981	KTE060	30.95
MAICO	MC440	(1973-1980)	KTE061	39.95

MAICO	MC490	(1981-1982)	KTE062	39.95
SUZUKI	PE250	(1977-1979)	KTE070	23.95
SUZUKI	PE250	(1980-1981)	KTE025	48.95
SUZUKI	RM100	(1979-1981)	KTE021	32.95
SUZUKI	RM125	1975	KTE020	37.95
SUZUKI	RM125	(1976-1978)	KTE019	22.95
SUZUKI	RM125	(1979-1980)	KTE021	32.95
SUZUKI	RM125	1981	KTE071	20.95
SUZUKI	RM125	(1982-1983)	KTE072	17.95
SUZUKI	RM125	(1984-1985)	KTE073	39.95
SUZUKI	RM125	1986	KTE074	43.95
SUZUKI	RM125	(1987-1988)	KTE075	49.95
SUZUKI	RM125	1989	KTE076	33.95
SUZUKI	RM250	1976	KTE024	27.95
SUZUKI	RM250	(1977-1978)	KTE070	23.95
SUZUKI	RM250	(1979-1980)	KTE025	48.95
SUZUKI	RM250	1981	KTE063	34.95
SUZUKI	RM250	(1982-1985)	KTE077	39.95
SUZUKI	RM250	1986	KTE078	25.95
SUZUKI	RM250	(1987-1988)	KTE079	49.95
SUZUKI	RM250	(1989-1990)	KTE080	32.95
SUZUKI	RM250	(1991-1995)	KTE081	29.95
SUZUKI	RM370	(1976-1977)	KTE026	34.95
SUZUKI	RM400	1978	KTE027	34.95
SUZUKI	RM400	(1979-1980)	KTE028	39.95
SUZUKI	RM465	(1981-1982)	KTE082	49.95
SUZUKI	RM500	(1983-1984)	KTE083	59.95
SUZUKI	RM80	1977	KTE084	11.95
SUZUKI	RM80	(1978-1981)	KTE085	11.95
SUZUKI	RM80	1982	KTE086	19.95
SUZUKI	RM80	(1983-1985)	KTE087	19.95
SUZUKI	RM80	(1986-1988)	KTE088	19.95
SUZUKI	RM80	(1989-1990)	KTE089	35.95
SUZUKI	RS250	(1980-1981)	KTE025	48.95
SUZUKI	TM125	(1973-1975)	KTE022	27.95
SUZUKI	TM250	(1972-1975)	KTE023	20.95
SUZUKI	TS250	(1969-1970)	KTE023	20.95
YAMAHA	AT2	1972	KTE029	38.95
YAMAHA	AT3	(1972-1973)	KTE029	38.95
YAMAHA	CT2	1972	KTE029	38.95
YAMAHA	CT3	(1972-1973)	KTE029	38.95
YAMAHA	DT400	(1975-1976)	KTE044	83.95
YAMAHA	IT400	1976	KTE044	83.95
YAMAHA	IT400	1979	KTE045	50.95
YAMAHA	IT425	1980	KTE045	50.95
YAMAHA	MX125	(1974-1975)	KTE029	38.95
YAMAHA	MX125	1976	KTE030	38.95
YAMAHA	MX250	1975	KTE039	57.95
YAMAHA	MX400	1975	KTE044	83.95
YAMAHA	YZ125	(1974-1975)	KTE029	38.95
YAMAHA	YZ125	1976	KTE030	38.95
YAMAHA	YZ125	1977	KTE031	40.95
YAMAHA	YZ125	1978	KTE032	36.95
YAMAHA	YZ125	1979	KTE034	19.95
YAMAHA	YZ125	1980	KTE035	44.95
YAMAHA	YZ125	1981	KTE064	28.95
YAMAHA	YZ125X	1976	KTE030	38.95

YAMAHA	YZ250	(1974-1975)	KTE036	45.95
YAMAHA	YZ250	1976	KTE039	57.95
YAMAHA	YZ250	1977	KTE040	73.95
YAMAHA	YZ250	1978	KTE041	64.95
YAMAHA	YZ250	1979	KTE042	34.95
YAMAHA	YZ250	(1980-1981)	KTE043	46.95
YAMAHA	YZ360	(1974-1975)	KTE037	50.95
YAMAHA	YZ400	(1976-1978)	KTE044	83.95
YAMAHA	YZ400	1979	KTE045	50.95
YAMAHA	YZ465	(1980-1981)	KTE046	44.95

3/4 Wheeler

HONDA	FL250 (ODYSSEY)	(1977-1984)	KTE068	24.95
-------	-----------------	-------------	--------	-------

STREET

KAWASAKI	H1-500	(1969-1973)	KTE011	82.95
KAWASAKI	H1-500	(1974-1975)	KTE012	82.95
KAWASAKI	H2-750	(1972-1975)	KTE013	79.95
KAWASAKI	H2-750 Race	(1972-1975)	KTE013	79.95
KAWASAKI	KH500	1976	KTE012	82.95
YAMAHA	RD350	(1973-1975)	KTE047	76.95
YAMAHA	RD400	(1976-1978)	KTE048	76.95
YAMAHA	RD400	1979	KTE069	32.95

Bottom End Engine Gasket Kits



VintCo has all new engine gasket kits to help on your engine lower end rebuild. These gaskets are made with modern materials and manufacturing techniques to ensure an as good or better than OEM fitment and performance. Each gasket kit includes the critical gaskets to complete your build with ease (for exact list, see description online at www.vintco.com). A top-end gasket kit is also available separately that has the critical top end gaskets to finish the job. These newly manufactured gaskets from VintCo will help you keep the ride going!

DIRT

HONDA	CR125	(1974-1975)	KEG001	54.95
HONDA	CR125	(1976-1978)	KEG002	43.95
HONDA	CR125	1979	KEG003	44.95
HONDA	CR125	1980	KEG004	44.95
HONDA	CR125	1981	KEG005	48.95
HONDA	CR250	(1973-1974)	KEG006	42.95
HONDA	CR250	(1975-1976)	KEG007	32.95
HONDA	CR250	(1978-1980)	KEG008	29.95
HONDA	CR250	1981	KEG009	39.95
HONDA	CR450	1981	KEG026	24.95
HONDA	CR80R	(1980-1981)	KEG025	24.95
HONDA	MR250	1976	KEG007	32.95
HONDA	MT125	(1974-1976)	KEG027	29.95
HONDA	MT125	1978	KEG028	29.95
HONDA	MT125	1977	KEG028	29.95
HONDA	MT250	(1974-1976)	KEG029	37.95
KAWASAKI	KDX175	(1980-1982)	KEG018	29.95
KAWASAKI	KDX250	(1980-1982)	KEG021	32.95
KAWASAKI	KX125	(1974-1975)	KEG015	44.95
KAWASAKI	KX125	1976	KEG016	44.95
KAWASAKI	KX125	(1978-1979)	KEG017	41.95
KAWASAKI	KX125	(1980-1981)	KEG018	29.95
KAWASAKI	KX250	(1974-1976)	KEG019	35.95

KAWASAKI	KX250	(1978-1979)	KEG020	39.95
KAWASAKI	KX250	(1980-1981)	KEG021	32.95
MAICO	MC250	(1972-1974)	KEG022	29.95
MAICO	MC250	(1975-1977)	KEG023	45.99
MAICO	MC250	(1978-1981)	KEG024	29.95
MAICO	MC400	(1975-1977)	KEG023	45.99
MAICO	MC400	(1978-1981)	KEG024	29.95
MAICO	MC440	1974	KEG022	29.95
MAICO	MC440	(1975-1977)	KEG023	45.99
MAICO	MC440	(1978-1980)	KEG024	29.95
MAICO	MC490	1981	KEG024	29.95
SUZUKI	PE250	(1977-1979)	KEG061	39.95
SUZUKI	RM100	1976	KEG050	39.95
SUZUKI	RM100	1977	KEG051	35.95
SUZUKI	RM100	1979	KEG052	29.95
SUZUKI	RM100	(1980-1981)	KEG053	29.95
SUZUKI	RM125	1975	KEG050	39.95
SUZUKI	RM125	(1976-1978)	KEG051	35.95
SUZUKI	RM125	1979	KEG052	29.95
SUZUKI	RM125	1980	KEG053	29.95
SUZUKI	RM125	1981	KEG054	34.95
SUZUKI	RM125	(1982-1983)	KEG055	35.95
SUZUKI	RM125	(1984-1985)	KEG056	36.95
SUZUKI	RM125	1986	KEG057	40.95
SUZUKI	RM125	(1987-1988)	KEG058	48.95
SUZUKI	RM125	(1989-1990)	KEG059	47.95
SUZUKI	RM125	1991	KEG060	48.95
SUZUKI	RM250	(1976-1978)	KEG061	39.95
SUZUKI	RM250	(1979-1980)	KEG062	37.95
SUZUKI	RM250	1981	KEG063	37.95
SUZUKI	RM250	(1982-1985)	KEG064	41.95
SUZUKI	RM250	1986	KEG065	46.95
SUZUKI	RM250	(1987-1988)	KEG066	43.95
SUZUKI	RM250	1989	KEG067	49.95
SUZUKI	RM250	(1990-1993)	KEG068	47.95
SUZUKI	RM250	(1994-1995)	KEG069	48.95
SUZUKI	RM370	(1976-1977)	KEG070	42.95
SUZUKI	RM400	1978	KEG070	42.95
SUZUKI	RM400	(1979-1980)	KEG071	39.95
SUZUKI	RM465	(1981-1982)	KEG072	39.95
SUZUKI	RM50	(1978-1979)	KEG074	22.95
SUZUKI	RM500	(1983-1984)	KEG073	41.95
SUZUKI	RM60	(1982-1983)	KEG075	22.95
SUZUKI	RM80	1977	KEG074	22.95
SUZUKI	RM80	(1978-1981)	KEG075	22.95
SUZUKI	RM80	1982	KEG076	33.95
SUZUKI	RM80	(1983-1985)	KEG077	45.95
SUZUKI	RM80	(1986-1988)	KEG078	25.95
SUZUKI	RM80	(1989-2001)	KEG079	49.95
SUZUKI	RMX250	1989	KEG067	49.95
SUZUKI	RMX250	(1990-1998)	KEG068	47.95
SUZUKI	RV125	(1973-1977)	KEG050	39.95
SUZUKI	TC125	(1972-1977)	KEG050	39.95
SUZUKI	TM100	(1974-1975)	KEG050	39.95
SUZUKI	TM125	(1973-1975)	KEG050	39.95
SUZUKI	TS125	(1971-1977)	KEG050	39.95

YAMAHA	IT175	(1977-1979)	KEG032	19.95
YAMAHA	IT400	1976	KEG038	29.95
YAMAHA	MX250	1975	KEG038	29.95
YAMAHA	MX400	1975	KEG038	29.95
YAMAHA	YZ125	(1974-1975)	KEG030	26.95
YAMAHA	YZ125	1976	KEG031	26.95
YAMAHA	YZ125	(1977-1978)	KEG032	19.95
YAMAHA	YZ125	1979	KEG033	19.95
YAMAHA	YZ125	1980	KEG034	19.95
YAMAHA	YZ125	1981	KEG035	19.95
YAMAHA	YZ125X	1976	KEG036	24.95
YAMAHA	YZ175	1976	KEG036	24.95
YAMAHA	YZ250	1974	KEG037	29.95
YAMAHA	YZ250	1976	KEG038	29.95
YAMAHA	YZ250	1977	KEG039	29.95
YAMAHA	YZ250	1978	KEG040	19.95
YAMAHA	YZ250	1979	KEG041	19.95
YAMAHA	YZ250	(1980-1981)	KEG042	19.95
YAMAHA	YZ400	1976	KEG038	29.95
YAMAHA	YZ400	(1977-1978)	KEG044	29.95
YAMAHA	YZ400	1979	KEG045	29.95
YAMAHA	YZ465	(1980-1981)	KEG046	19.95
YAMAHA	YZ100	1977	KEG036	24.95
YAMAHA	YZ100	1978	KEG032	19.95

STREET

KAWASAKI	H1-500	(1969-1972)	KEG010	59.95
KAWASAKI	H1-500	1973	KEG011	54.95
KAWASAKI	H1-500	(1974-1975)	KEG012	59.95
KAWASAKI	KH500	1976	KEG012	59.95
KAWASAKI	H2-750	(1972-1973)	KEG013	49.95
KAWASAKI	H2-750	(1974-1975)	KEG014	54.95
YAMAHA	RD350	(1973-1975)	KEG047	23.95
YAMAHA	RD400	(1976-1978)	KEG048	24.95
YAMAHA	RD400	1979	KEG049	28.95

Oil Seal Kits



Having new oil seals is a must and VintCo has the solution. These engine oil seal kits are made with modern materials and manufacturing techniques to ensure an as good or better than OEM fitment and performance. These VintCo engine oil seal kits will help to complete your build with ease. Each oil seal kit contains the critical seals needed for your rebuild (for exact list, see description online at www.vintco.com).

DIRT

HONDA	CR125	(1974-1978)	KOS001	34.95
HONDA	CR125	(1979-1979)	KOS002	25.95
HONDA	CR125	1980	KOS003	25.95
HONDA	CR125	(1981-1982)	KOS004	29.95
HONDA	CR250	(1973-1976)	KOS005	49.95
HONDA	CR250	(1978-1980)	KOS006	42.95
HONDA	CR250	(1981-1983)	KOS007	38.95
HONDA	MR175	(1975-1977)	KOS001	34.95
HONDA	MR250	1976	KOS005	49.95
HONDA	MT125	(1974-1976)	KOS001	34.95
HONDA	MT250	(1974-1976)	KOS005	49.95

KAWASAKI	KD125	(1975-1979)	KOS012	39.95
KAWASAKI	KDX175	(1980-1982)	KOS014	39.95
KAWASAKI	KDX250	(1980-1982)	KOS017	39.95
KAWASAKI	KE125	(1976-1983)	KOS012	39.95
KAWASAKI	KS125	(1974-1975)	KOS012	39.95
KAWASAKI	KT250	(1975-1976)	KOS015	39.95
KAWASAKI	KX125	(1974-1976)	KOS012	39.95
KAWASAKI	KX125	(1978-1979)	KOS013	39.95
KAWASAKI	KX125	(1980-1981)	KOS014	39.95
KAWASAKI	KX250	(1974-1976)	KOS015	39.95
KAWASAKI	KX250	(1978-1979)	KOS016	39.95
KAWASAKI	KX250	(1980-1981)	KOS017	39.95

Piston Kits



DIRT

VintCo has all new piston kits to help you keep the ride going! These pistons are made with modern materials and manufacturing techniques to ensure an as good or better than OEM fitment and performance. These piston kits include the piston, rings, pin and clips to complete your build with ease. A wrist pin bearing is also available separately and more size options are available. There are multiple sizes of pistons available starting at standard bore with larger overbore sizes available. The OEM part numbers are provided as a reference to ensure exact fitment (online at www.vintco.com).

BULTACO	250	(1970-1976)	PSB01-00	149.95
BULTACO	250	(1970-1976)	PSB01-0.5	149.95
BULTACO	250	(1970-1976)	PSB01-1.0	149.95
BULTACO	250	(1970-1976)	PSB01-1.5	149.95
BULTACO	250	(1970-1976)	PSB01-2.0	149.95
HONDA	ATAC250	(1984-1985)	PSH09-00	149.95
HONDA	ATAC250	(1984-1985)	PSH09-0.5	149.95
HONDA	ATAC250	(1984-1985)	PSH09-1.0	149.95
HONDA	ATAC250	(1984-1985)	PSH09-1.5	149.95
HONDA	ATAC250	(1984-1985)	PSH09-2.0	149.95
HONDA	CR125	(1974-1978)	PSH01-00	119.95
HONDA	CR125	(1974-1978)	PSH01-0.5	119.95
HONDA	CR125	(1974-1978)	PSH01-1.0	119.95
HONDA	CR125	(1974-1978)	PSH01-1.5	119.95
HONDA	CR125	1979	PSH02-00	119.95
HONDA	CR125	1979	PSH02-0.5	119.95
HONDA	CR125	1979	PSH02-1.0	119.95
HONDA	CR125	1979	PSH02-1.5	119.95
HONDA	CR125	(1980-1984)	PSH03-00	119.95
HONDA	CR125	(1980-1984)	PSH03-0.5	119.95
HONDA	CR125	(1980-1984)	PSH03-1.0	119.95
HONDA	CR125	(1980-1984)	PSH03-1.5	119.95
HONDA	CR125	(1985-1986)	PSH11-00	119.95
HONDA	CR125	(1985-1986)	PSH11-0.5	119.95
HONDA	CR125	(1985-1986)	PSH11-1.0	119.95
HONDA	CR125	(1985-1986)	PSH11-1.5	119.95
HONDA	CR125	1987	PSH12-00	119.95
HONDA	CR125	1987	PSH12-0.5	119.95
HONDA	CR125	1987	PSH12-1.0	119.95
HONDA	CR125	1987	PSH12-1.5	119.95
HONDA	CR125	(1988-1989)	PSH13-00	119.95
HONDA	CR125	(1988-1989)	PSH13-0.5	119.95
HONDA	CR125	(1988-1989)	PSH13-1.0	119.95
HONDA	CR125	(1988-1989)	PSH13-1.5	119.95

HONDA	CR125	(1990-1991)	PSH14-00	119.95
HONDA	CR250	(1973-1974)	PSH04-00	149.95
HONDA	CR250	(1973-1974)	PSH04-0.5	149.95
HONDA	CR250	(1973-1974)	PSH04-1.0	149.95
HONDA	CR250	(1973-1974)	PSH04-1.5	149.95
HONDA	CR250	(1975-1976)	PSH05-00	149.95
HONDA	CR250	(1975-1976)	PSH05-0.5	149.95
HONDA	CR250	(1975-1976)	PSH05-1.0	149.95
HONDA	CR250	(1975-1976)	PSH05-1.5	149.95
HONDA	CR250	(1978-1980)	PSH06-00	149.95
HONDA	CR250	(1978-1980)	PSH06-0.5	149.95
HONDA	CR250	(1978-1980)	PSH06-1.0	149.95
HONDA	CR250	(1978-1980)	PSH06-1.5	149.95
HONDA	CR250	(1978-1980)	PSH06-2.0	149.95
HONDA	CR250	(1981-1983)	PSH07-00	149.95
HONDA	CR250	(1981-1983)	PSH07-0.5	149.95
HONDA	CR250	(1981-1983)	PSH07-1.0	149.95
HONDA	CR250	(1981-1983)	PSH07-1.5	149.95
HONDA	CR250	(1986-1996)	PSH15-00	149.95
HONDA	CR250	(1986-1996)	PSH15-0.6	149.95
HONDA	CR250	(1986-1996)	PSH15-1.1	149.95
HONDA	CR250	(1986-1996)	PSH15-1.6	149.95
HONDA	CR250	(1986-1996)	PSH15-2.1	149.95
HONDA	CR480	(1982-1983)	PSH16-00	164.95
HONDA	CR480	(1982-1983)	PSH16-0.5	164.95
HONDA	CR480	(1982-1983)	PSH16-1.0	164.95
HONDA	CR480	(1982-1983)	PSH16-1.5	164.95
HONDA	CR480	(1982-1983)	PSH16-2.0	164.95
HONDA	CR500	(1984-2001)	PSH16-00	164.95
HONDA	CR500	(1984-2001)	PSH16-0.5	164.95
HONDA	CR500	(1984-2001)	PSH16-1.0	164.95
HONDA	CR500	(1984-2001)	PSH16-1.5	164.95
HONDA	CR500	(1984-2001)	PSH16-2.0	164.95
HONDA	CR80R	(1980-1981)	PSH08-00	89.95
HONDA	CR80R	(1980-1981)	PSH08-0.5	89.95
HONDA	CR80R	(1980-1981)	PSH08-1.0	89.95
HONDA	CR80R	(1980-1981)	PSH08-1.5	89.95
HONDA	CR80R	(1980-1981)	PSH08-2.0	89.95
HONDA	CR80R	1982	PSH18-00	89.95
HONDA	CR80R	1984	PSH19-00	89.95
HONDA	CR80R	1985	PSH20-00	89.95
HONDA	CR80R	(1986-1991)	PSH21-00	89.95
HONDA	CR80R (INT BORE)	(1986-2002)	PSH17-00	89.95
HONDA	MT125	1977	PSH01-00	119.95
HONDA	MT125	1977	PSH01-0.5	119.95
HONDA	MT125	1977	PSH01-1.0	119.95
HONDA	MT125	1977	PSH01-1.5	119.95
HUSQVARNA	250	(1966-1971)	PSU14-00	159.95
HUSQVARNA	250	(1966-1971)	PSU14-0.5	159.95
HUSQVARNA	250	(1966-1971)	PSU14-1.0	159.95
HUSQVARNA	250	(1966-1971)	PSU14-1.5	159.95
HUSQVARNA	360 AUTO	(1976-1977)	PSU02-00	179.95
HUSQVARNA	360 AUTO	(1976-1977)	PSU02-0.5	179.95
HUSQVARNA	360 AUTO	(1976-1977)	PSU02-1.0	179.95
HUSQVARNA	360 AUTO	(1976-1977)	PSU05-00	179.95
HUSQVARNA	360 AUTO	(1976-1977)	PSU05-0.5	179.95
HUSQVARNA	CR125	(1972-1973)	PSU06-00	119.95

HUSQVARNA	250	(1966-1971)	PSU14-00	159.95
HUSQVARNA	250	(1966-1971)	PSU14-0.5	159.95
HUSQVARNA	250	(1966-1971)	PSU14-1.0	159.95
HUSQVARNA	250	(1966-1971)	PSU14-1.5	159.95
HUSQVARNA	360 AUTO	(1976-1977)	PSU02-00	179.95
HUSQVARNA	360 AUTO	(1976-1977)	PSU02-0.5	179.95
HUSQVARNA	360 AUTO	(1976-1977)	PSU02-1.0	179.95
HUSQVARNA	360 AUTO	(1976-1977)	PSU05-00	179.95
HUSQVARNA	360 AUTO	(1976-1977)	PSU05-0.5	179.95
HUSQVARNA	CR125	(1972-1973)	PSU06-00	119.95
HUSQVARNA	CR125	(1972-1973)	PSU06-0.5	119.95
HUSQVARNA	CR125	(1972-1973)	PSU06-1.0	119.95
HUSQVARNA	CR125	(1972-1973)	PSU06-1.5	119.95
HUSQVARNA	CR125	1974	PSU03-0.75	119.95
HUSQVARNA	CR125	1974	PSU03-1.0	119.95
HUSQVARNA	CR125	1974	PSU03-1.5	119.95
HUSQVARNA	CR125	(1975-1978)	PSU16-00	129.95
HUSQVARNA	CR125	(1975-1978)	PSU16-0.5	129.95
HUSQVARNA	CR125	(1975-1978)	PSU16-1.0	129.95
HUSQVARNA	CR125	(1975-1978)	PSU16-1.5	129.95
HUSQVARNA	CR125	(1984-1987)	PSU13-00	129.95
HUSQVARNA	CR125	(1984-1987)	PSU13-0.5	129.95
HUSQVARNA	CR125	(1984-1987)	PSU13-1.0	129.95
HUSQVARNA	CR125	(1984-1987)	PSU13-1.5	129.95
HUSQVARNA	CR250	1972	PSU14-00	159.95
HUSQVARNA	CR250	1972	PSU14-0.5	159.95
HUSQVARNA	CR250	1972	PSU14-1.0	159.95
HUSQVARNA	CR250	1972	PSU14-1.5	159.95
HUSQVARNA	CR250	1973	PSU15-00	159.95
HUSQVARNA	CR250	1973	PSU15-0.5	159.95
HUSQVARNA	CR250	1973	PSU15-1.0	159.95
HUSQVARNA	CR250	1973	PSU15-1.5	159.95
HUSQVARNA	CR250	(1974-1981)	PSU01-00	149.95
HUSQVARNA	CR250	(1974-1981)	PSU01-0.5	149.95
HUSQVARNA	CR250	(1974-1981)	PSU01-1.0	149.95
HUSQVARNA	CR250	(1974-1981)	PSU01-1.5	149.95
HUSQVARNA	CR250	(1985-1986)	PSU09-00	149.95
HUSQVARNA	CR250	(1985-1986)	PSU09-0.5	149.95
HUSQVARNA	CR250	(1985-1986)	PSU09-1.0	149.95
HUSQVARNA	CR250	(1985-1986)	PSU09-1.5	149.95
HUSQVARNA	CR250	(1985-1986)	PSU09-2.0	149.95
HUSQVARNA	CR250	(1987-1991)	PSU10-00	149.95
HUSQVARNA	CR360	(1975-1976)	PSU02-00	179.95
HUSQVARNA	CR360	(1975-1976)	PSU02-0.5	179.95
HUSQVARNA	CR360	(1975-1976)	PSU02-1.0	179.95
HUSQVARNA	CR360	(1975-1976)	PSU05-00	179.95
HUSQVARNA	CR360	(1975-1976)	PSU05-0.5	179.95
HUSQVARNA	CR390	(1977-1980)	PSU02-00	179.95
HUSQVARNA	CR390	(1977-1980)	PSU02-0.5	179.95
HUSQVARNA	CR390	(1977-1980)	PSU02-1.0	179.95
HUSQVARNA	CR390	(1977-1980)	PSU02-1.5	179.95
HUSQVARNA	CR390	(1977-1980)	PSU02-2.0	179.95
HUSQVARNA	CR390	(1977-1980)	PSU02-2.5	179.95
HUSQVARNA	CR400	(1971-1974)	PSU04-00	179.95
HUSQVARNA	CR400	(1971-1974)	PSU04-0.5	179.95
HUSQVARNA	CR400	(1971-1974)	PSU04-1.0	179.95
HUSQVARNA	CR400	(1971-1974)	PSU04-1.5	179.95

HUSQVARNA	Cr400	((1971-1974)	PSU04-2.0	179.95
HUSQVARNA	CR400	(1971-1974)	PSU04-2.5	179.95
HUSQVARNA	CR450	(1972-1975)	PSU08-00	189.95
HUSQVARNA	CR450	(1972-1975)	PSU08-0.5	189.95
HUSQVARNA	CR450	(1972-1975)	PSU08-1.0	189.95
HUSQVARNA	CR450	(1972-1975)	PSU08-1.5	189.95
HUSQVARNA	OR250	(1978-1980)	PSU01-00	149.95
HUSQVARNA	OR250	(1978-1980)	PSU01-0.5	149.95
HUSQVARNA	OR250	(1978-1980)	PSU01-1.0	149.95
HUSQVARNA	OR250	(1978-1980)	PSU01-1.5	149.95
HUSQVARNA	SC125	1974	PSU06-00	119.95
HUSQVARNA	SC125	1974	PSU06-0.5	119.95
HUSQVARNA	SC125	1974	PSU06-1.0	119.95
HUSQVARNA	SC125	1974	PSU06-1.5	119.95
HUSQVARNA	WMX125	(1988-1991)	PSU12-00	129.95
HUSQVARNA	WMX125	(1988-1991)	PSU12-0.5	129.95
HUSQVARNA	WMX125	(1988-1991)	PSU12-1.0	129.95
HUSQVARNA	WR125	(1972-1973)	PSU06-00	119.95
HUSQVARNA	WR125	(1972-1973)	PSU06-0.5	119.95
HUSQVARNA	WR125	(1972-1973)	PSU06-1.0	119.95
HUSQVARNA	WR125	(1972-1973)	PSU06-1.5	119.95
HUSQVARNA	WR125	1974	PSU03-0.75	119.95
HUSQVARNA	WR125	1974	PSU03-1.0	119.95
HUSQVARNA	WR125	1974	PSU03-1.5	119.95
HUSQVARNA	WR250	1973	PSU14-00	159.95
HUSQVARNA	WR250	1973	PSU14-0.5	159.95
HUSQVARNA	WR250	1973	PSU14-1.0	159.95
HUSQVARNA	WR250	1973	PSU14-1.5	159.95
HUSQVARNA	WR250	1974	PSU15-00	159.95
HUSQVARNA	WR250	1974	PSU15-0.5	159.95
HUSQVARNA	WR250	1974	PSU15-1.0	159.95
HUSQVARNA	WR250	1974	PSU15-1.5	159.95
HUSQVARNA	WR250	(1975-1981)	PSU01-00	149.95
HUSQVARNA	WR250	(1975-1981)	PSU01-0.5	149.95
HUSQVARNA	WR250	(1975-1981)	PSU01-1.0	149.95
HUSQVARNA	WR250	(1975-1981)	PSU01-1.5	149.95
HUSQVARNA	WR390	(1977-1980)	PSU02-00	179.95
HUSQVARNA	WR390	(1977-1980)	PSU02-0.5	179.95
HUSQVARNA	WR390	(1977-1980)	PSU02-1.0	179.95
HUSQVARNA	WR390	(1977-1980)	PSU02-1.5	179.95
HUSQVARNA	WR390	(1977-1980)	PSU02-2.0	179.95
HUSQVARNA	WR390	(1977-1980)	PSU02-2.5	179.95
HUSQVARNA	WR400	(1974-1975)	PSU04-00	179.95
HUSQVARNA	WR400	(1974-1975)	PSU04-0.5	179.95
HUSQVARNA	WR400	(1974-1975)	PSU04-1.0	179.95
HUSQVARNA	WR400	(1974-1975)	PSU04-1.5	179.95
HUSQVARNA	WR400	(1974-1975)	PSU04-2.0	179.95
HUSQVARNA	WR400	(1974-1975)	PSU04-2.5	179.95
HUSQVARNA	WR430	(1984-1988)	PSU11-00	179.95
HUSQVARNA	WR430	(1984-1988)	PSU11-0.5	179.95
HUSQVARNA	WR430	(1984-1988)	PSU11-1.0	179.95
HUSQVARNA	WR430	(1984-1988)	PSU11-1.5	179.95
HUSQVARNA	WR450	(1972-1975)	PSU08-00	189.95
HUSQVARNA	WR450	(1972-1975)	PSU08-0.5	189.95
HUSQVARNA	WR450	(1972-1975)	PSU08-1.0	189.95
HUSQVARNA	WR450	(1972-1975)	PSU08-1.5	189.95
HUSQVARNA	XC250	1981	PSU01-00	149.95

HUSQVARNA	XC250	1981	PSU01-0.5	149.95
HUSQVARNA	XC250	1981	PSU01-1.0	149.95
HUSQVARNA	XC250	1981	PSU01-1.5	149.95
KAWASAKI	KD125	(1974-1984)	PSK07-00	119.95
KAWASAKI	KD125	(1974-1984)	PSK07-0.5	119.95
KAWASAKI	KD125	(1974-1984)	PSK07-1.0	119.95
KAWASAKI	KD125	(1974-1984)	PSK07-1.5	119.95
KAWASAKI	KD125	(1974-1984)	PSK07-2.0	119.95
KAWASAKI	KDX200	(1986-2006)	PSK12-00	139.95
KAWASAKI	KDX200	(1986-2006)	PSK12-0.5	139.95
KAWASAKI	KDX200	(1986-2006)	PSK12-1.0	139.95
KAWASAKI	KDX200	(1986-2006)	PSK12-2.0	139.95
KAWASAKI	KDX250	(1991-1994)	PSK11-00	149.95
KAWASAKI	KDX80	(1980-1982)	PSK20-00	89.95
KAWASAKI	KDX80	(1983-1988)	PSK21-00	89.95
KAWASAKI	KE125	(1974-1984)	PSK07-00	119.95
KAWASAKI	KE125	(1974-1984)	PSK07-0.5	119.95
KAWASAKI	KE125	(1974-1984)	PSK07-1.0	119.95
KAWASAKI	KE125	(1974-1984)	PSK07-1.5	119.95
KAWASAKI	KE125	(1974-1984)	PSK07-2.0	119.95
KAWASAKI	KS125	(1974-1984)	PSK07-00	119.95
KAWASAKI	KS125	(1974-1984)	PSK07-0.5	119.95
KAWASAKI	KS125	(1974-1984)	PSK07-1.0	119.95
KAWASAKI	KS125	(1974-1984)	PSK07-1.5	119.95
KAWASAKI	KS125	(1974-1984)	PSK07-2.0	119.95
KAWASAKI	KX125	(1978-1981)	PSK04-00	119.95
KAWASAKI	KX125	(1978-1981)	PSK04-0.5	119.95
KAWASAKI	KX125	(1978-1981)	PSK04-1.0	119.95
KAWASAKI	KX125	(1978-1981)	PSK04-1.5	119.95
KAWASAKI	KX125	(1982-1985)	PSK14-00	119.95
KAWASAKI	KX125	1986	PSK15-00	119.95
KAWASAKI	KX125	1987	PSK16-00	119.95
KAWASAKI	KX125	(1988-1989)	PSK10-00	119.95
KAWASAKI	KX125	1990	PSK17-00	119.95
KAWASAKI	KX250	(1978-1985)	PSK06-00	149.95
KAWASAKI	KX250	(1978-1985)	PSK06-0.5	149.95
KAWASAKI	KX250	(1978-1985)	PSK06-1.0	149.95
KAWASAKI	KX250	(1978-1985)	PSK06-1.5	149.95
KAWASAKI	KX250	(1987-1989)	PSK18-00	149.95
KAWASAKI	KX250	(1990-1991)	PSK11-00	149.95
KAWASAKI	KX500	(1988-2004)	PSK13-00	164.95
KAWASAKI	KX500	(1988-2004)	PSK13-0.5	164.95
KAWASAKI	KX500	(1988-2004)	PSK13-1.0	164.95
KAWASAKI	KX500	(1988-2004)	PSK13-1.5	164.95
KAWASAKI	KX500	(1988-2004)	PSK13-2.0	164.95
KAWASAKI	KX60	(1983-2003)	PSK19-00	89.95
KAWASAKI	KX80	(1981-1982)	PSK20-00	89.95
KAWASAKI	KX80	(1983-1985)	PSK21-00	89.95
KAWASAKI	KX80 International Bore	(1988-2000)	PSK09-00	89.95
KAWASAKI	KX80 Us Bore	(1988-1997)	PSK08-00	89.95
KTM	125	(1976-1981)	PST02-1.0	119.95
KTM	125	(1976-1981)	PST02-1.5	119.95
KTM	250	(1977-1982)	PST01-00	149.95
KTM	250	(1977-1982)	PST01-0.5	149.95
KTM	250	(1977-1982)	PST01-1.0	149.95
KTM	250	(1977-1982)	PST01-1.5	149.95
KTM	390	(1976-1981)	PST04-0.5	179.95

KTM	390	(1976-1981)	PST04-1.0	179.95
KTM	175GS	(1977-1981)	PST03-00	139.95
KTM	175GS	(1977-1981)	PST03-0.5	139.95
KTM	175GS	(1977-1981)	PST03-1.0	139.95
KTM	175GS	(1977-1981)	PST03-1.5	139.95
KTM	175GS	(1977-1981)	PST03-2.0	139.95
KTM	175MC	(1977-1981)	PST03-00	139.95
KTM	175MC	(1977-1981)	PST03-0.5	139.95
KTM	175MC	(1977-1981)	PST03-1.0	139.95
KTM	175MC	(1977-1981)	PST03-1.5	139.95
KTM	175MC	(1977-1981)	PST03-2.0	139.95
MAICO	GS400	(1978-1979)	PSM02-00	179.95
MAICO	GS400	(1978-1979)	PSM02-0.5	179.95
MAICO	GS400	(1978-1979)	PSM02-1.0	179.95
MAICO	GS400	(1978-1979)	PSM02-1.5	179.95
MAICO	GS440	(1978-1979)	PSM03-00	179.95
MAICO	GS440	(1978-1979)	PSM03-0.5	179.95
MAICO	GS440	(1978-1979)	PSM03-1.0	179.95
MAICO	GS440	(1978-1979)	PSM03-1.5	179.95
MAICO	MC250	(1973-1981)	PSM01-00	149.95
MAICO	MC250	(1973-1981)	PSM01-0.5	149.95
MAICO	MC250	(1973-1981)	PSM01-1.0	149.95
MAICO	MC250	(1973-1981)	PSM01-1.5	149.95
MAICO	MC400	(1974-1981)	PSM02-00	179.95
MAICO	MC400	(1974-1981)	PSM02-0.5	179.95
MAICO	MC400	(1974-1981)	PSM02-1.0	179.95
MAICO	MC400	(1974-1981)	PSM02-1.5	179.95
MAICO	MC440	(1973-1980)	PSM03-00	179.95
MAICO	MC440	(1973-1980)	PSM03-0.5	179.95
MAICO	MC440	(1973-1980)	PSM03-1.0	179.95
MAICO	MC440	(1973-1980)	PSM03-1.5	179.95
MAICO	MC490	(1981-1982)	PSM04-00	179.95
MAICO	MC490	(1981-1982)	PSM04-0.5	179.95
MAICO	MC490	(1981-1982)	PSM04-1.0	179.95
MAICO	Mc490	(1981-1982)	PSM04-1.5	179.95
ROTAX	Can Am 175TnT	(1974-1977)	PSR02-00	139.95
ROTAX	Can Am 175TnT	(1974-1977)	PSR02-0.5	139.95
ROTAX	Can Am 175TnT	(1974-1977)	PSR02-1.0	139.95
ROTAX	Can Am 175TnT	(1974-1977)	PSR02-1.5	139.95
ROTAX	Can Am 175TnT	(1974-1977)	PSR02-2.0	139.95
ROTAX	Can Am 125Fun	1978	PSR01-00	119.95
ROTAX	Can Am 125Fun	1978	PSR01-0.5	119.95
ROTAX	Can Am 125Fun	1978	PSR01-1.0	119.95
ROTAX	Can Am 125MX	(1974-1981)	PSR01-00	119.95
ROTAX	Can Am 125MX	(1974-1981)	PSR01-0.5	119.95
ROTAX	Can Am 125MX	(1974-1981)	PSR01-1.0	119.95
ROTAX	Can Am 125TnT	(1974-1975)	PSR01-00	119.95
ROTAX	Can Am 125TnT	(1974-1975)	PSR01-0.5	119.95
ROTAX	Can Am 125TnT	(1974-1975)	PSR01-1.0	119.95
ROTAX	Can Am 175MX	(1974-1977)	PSR02-00	139.95
ROTAX	Can Am 175MX	(1974-1977)	PSR02-0.5	139.95
ROTAX	Can Am 175MX	(1974-1977)	PSR02-1.0	139.95
ROTAX	Can Am 175MX	(1974-1977)	PSR02-1.5	139.95
ROTAX	Can Am 175MX	(1974-1977)	PSR02-2.0	139.95
ROTAX	Can Am 250MX	(1974-1977)	PSR03-00	149.95
ROTAX	Can Am 250MX	(1974-1977)	PSR03-0.5	149.95
ROTAX	Can Am 250MX	(1974-1977)	PSR03-1.0	149.95

ROTAX	Can Am 250MX	(1974-1977)	PSR03-1.5	149.95
ROTAX	Can Am 250MX	(1974-1977)	PSR03-2.0	149.95
ROTAX	Can Am 250TnT	(1974-1977)	PSR03-00	149.95
ROTAX	Can Am 250TnT	(1974-1977)	PSR03-0.5	149.95
ROTAX	Can Am 250TnT	(1974-1977)	PSR03-1.0	149.95
ROTAX	Can Am 250TnT	(1974-1977)	PSR03-1.5	149.95
ROTAX	Can Am 250TnT	(1974-1977)	PSR03-2.0	149.95
ROTAX	Can Am125Qualifier	(1977-1981)	PSR01-00	119.95
ROTAX	Can Am125Qualifier	(1977-1981)	PSR01-0.5	119.95
ROTAX	Can Am125Qualifier	(1977-1981)	PSR01-1.0	119.95
ROTAX	Can Am175Qualifier	(1977-1981)	PSR02-00	139.95
ROTAX	Can Am175Qualifier	(1977-1981)	PSR02-0.5	139.95
ROTAX	Can Am175Qualifier	(1977-1981)	PSR02-1.0	139.95
ROTAX	Can Am175Qualifier	(1977-1981)	PSR02-1.5	139.95
ROTAX	Can Am175Qualifier	(1977-1981)	PSR02-2.0	139.95
ROTAX	Can Am250Qualifier	1977	PSR03-00	149.95
ROTAX	Can Am250Qualifier	1977	PSR03-0.5	149.95
ROTAX	Can Am250Qualifier	1977	PSR03-1.0	149.95
ROTAX	Can Am250Qualifier	1977	PSR03-1.5	149.95
ROTAX	Can Am250Qualifier	1977	PSR03-2.0	149.95
ROTAX	SWM125cc	(1977-1981)	PSR01-00	119.95
ROTAX	SWM125cc	(1977-1981)	PSR01-0.5	119.95
ROTAX	SWM125cc	(1977-1981)	PSR01-1.0	119.95
ROTAX	SWM175cc	(1977-1981)	PSR02-00	139.95
ROTAX	SWM175cc	(1977-1981)	PSR02-0.5	139.95
ROTAX	SWM175cc	(1977-1981)	PSR02-1.0	139.95
ROTAX	SWM175cc	(1977-1981)	PSR02-1.5	139.95
ROTAX	SWM175cc	(1977-1981)	PSR02-2.0	139.95
ROTAX	SWM250cc	(1977-1982)	PSR03-00	149.95
ROTAX	SWM250cc	(1977-1982)	PSR03-0.5	149.95
ROTAX	SWM250cc	(1977-1982)	PSR03-1.0	149.95
ROTAX	SWM250cc	(1977-1982)	PSR03-1.5	149.95
ROTAX	SWM250cc	(1977-1982)	PSR03-2.0	149.95
SACHS	Hercules Sachs 6 speed	(1972-1976)	PSC01-00	119.95
SACHS	Hercules Sachs 6 speed	(1972-1976)	PSC01-0.5	119.95
SACHS	Hercules Sachs 6 speed	(1972-1976)	PSC01-1.0	119.95
SACHS	Hercules Sachs 6 speed	(1972-1976)	PSC01-1.5	119.95
SACHS	Hercules Sachs 6 speed	(1972-1976)	PSC01-2.0	119.95
SACHS	DKW Sachs 6 speed	(1972-1976)	PSC01-00	119.95
SACHS	DKW Sachs 6 speed	(1972-1976)	PSC01-0.5	119.95
SACHS	DKW Sachs 6 speed	(1972-1976)	PSC01-1.0	119.95
SACHS	DKW Sachs 6 speed	(1972-1976)	PSC01-1.5	119.95
SACHS	DKW Sachs 6 speed	(1972-1976)	PSC01-2.0	119.95
SACHS	DKW Sachs 7 speed	(1977-1981)	PSC02-00	119.95
SACHS	DKW Sachs 7 speed	(1977-1981)	PSC02-0.5	119.95
SACHS	DKW Sachs 7 speed	(1977-1981)	PSC02-1.0	119.95
SACHS	DKW Sachs 7 speed	(1977-1981)	PSC02-1.5	119.95
SACHS	DKW Sachs 7 speed	(1977-1981)	PSC02-2.0	119.95
SACHS	Hercules Sachs 7 speed	(1977-1981)	PSC02-00	119.95
SACHS	Hercules Sachs 7 speed	(1977-1981)	PSC02-0.5	119.95
SACHS	Hercules Sachs 7 speed	(1977-1981)	PSC02-1.0	119.95
SACHS	Hercules Sachs 7 speed	(1977-1981)	PSC02-1.5	119.95
SACHS	Hercules Sachs 7 speed	(1977-1981)	PSC02-2.0	119.95
SACHS	Monark Sachs 6 speed	(1972-1976)	PSC01-00	119.95
SACHS	Monark Sachs 6 speed	(1972-1976)	PSC01-0.5	119.95
SACHS	Monark Sachs 6 speed	(1972-1976)	PSC01-1.0	119.95
SACHS	Monark Sachs 6 speed	(1972-1976)	PSC01-1.5	119.95

SACHS	Monark Sachs 6 speed	(1972-1976)	PSC01-2.0	119.95
SACHS	Penton Sachs 6 speed	(1972-1975)	PSC01-00	119.95
SACHS	Penton Sachs 6 speed	(1972-1975)	PSC01-0.5	119.95
SACHS	Penton Sachs 6 speed	(1972-1975)	PSC01-1.0	119.95
SACHS	Penton Sachs 6 speed	(1972-1975)	PSC01-1.5	119.95
SACHS	Penton Sachs 6 speed	(1972-1975)	PSC01-2.0	119.95
SUZUKI	DS125	(1979-1981)	PSS07-00	119.95
SUZUKI	DS125	(1979-1981)	PSS07-0.5	119.95
SUZUKI	DS125	(1979-1981)	PSS07-1.0	119.95
SUZUKI	DS125	(1979-1981)	PSS07-1.5	119.95
SUZUKI	DS125	(1979-1981)	PSS07-2.0	119.95
SUZUKI	DS185	(1978-1980)	PSS11-00	149.95
SUZUKI	DS185	(1978-1980)	PSS11-0.5	149.95
SUZUKI	DS185	(1978-1980)	PSS11-1.0	149.95
SUZUKI	DS185	(1978-1980)	PSS11-1.5	149.95
SUZUKI	DS185	(1978-1980)	PSS11-2.0	149.95
SUZUKI	DS250	1980	PSS09-1.0	149.95
SUZUKI	DS250	1980	PSS09-1.5	149.95
SUZUKI	DS250	1980	PSS09-2.0	149.95
SUZUKI	PE175	(1980-1984)	PSS08-00	139.95
SUZUKI	PE175	(1980-1984)	PSS08-0.5	139.95
SUZUKI	PE175	(1980-1984)	PSS08-1.0	139.95
SUZUKI	PE175	(1980-1984)	PSS08-1.5	139.95
SUZUKI	PE175	(1980-1984)	PSS08-2.0	139.95
SUZUKI	PE250	(1977-1981)	PSS03-00	149.95
SUZUKI	PE250	(1977-1981)	PSS03-0.5	149.95
SUZUKI	PE250	(1977-1981)	PSS03-1.0	149.95
SUZUKI	PE250	(1977-1981)	PSS03-1.5	149.95
SUZUKI	RL250	(1974-1975)	PSS09-1.0	149.95
SUZUKI	RL250	(1974-1975)	PSS09-1.5	149.95
SUZUKI	RL250	(1974-1975)	PSS09-2.0	149.95
SUZUKI	RM125	(1977-1980)	PSS01-00	119.95
SUZUKI	RM125	(1977-1980)	PSS01-0.5	119.95
SUZUKI	RM125	(1977-1980)	PSS01-1.0	119.95
SUZUKI	RM125	(1977-1980)	PSS01-1.5	119.95
SUZUKI	RM125	(1981-1983)	PSS06-00	119.95
SUZUKI	RM125	(1981-1983)	PSS06-0.5	119.95
SUZUKI	RM125	(1981-1983)	PSS06-0.75	119.95
SUZUKI	RM125	(1981-1983)	PSS06-1.0	119.95
SUZUKI	RM125	(1981-1983)	PSS06-1.5	119.95
SUZUKI	RM125	(1981-1983)	PSS06-2.0	119.95
SUZUKI	RM125	(1985-1986)	PSS12-00	119.95
SUZUKI	RM125	(1985-1986)	PSS12-0.5	119.95
SUZUKI	RM125	(1985-1986)	PSS12-1.0	119.95
SUZUKI	RM125	(1985-1986)	PSS12-1.5	119.95
SUZUKI	RM125	1987	PSS13-00	119.95
SUZUKI	RM125	1987	PSS13-0.5	119.95
SUZUKI	RM125	1987	PSS13-1.0	119.95
SUZUKI	RM125	1987	PSS13-1.5	119.95
SUZUKI	RM125	1988	PSS14-00	119.95
SUZUKI	RM125	1988	PSS14-0.5	119.95
SUZUKI	RM125	1988	PSS14-1.5	119.95
SUZUKI	RM125	1989	PSS15-00	119.95
SUZUKI	RM250	(1977-1981)	PSS03-00	149.95
SUZUKI	RM250	(1977-1981)	PSS03-0.5	149.95
SUZUKI	RM250	(1977-1981)	PSS03-1.0	149.95
SUZUKI	RM250	(1977-1981)	PSS03-1.5	149.95

SACHS	RM250	(1982-1985)	PSS16-00	149.95
SACHS	RM250	(1982-1985)	PSS16-0.5	149.95
SACHS	RM250	(1982-1985)	PSS16-1.0	149.95
SACHS	RM250	(1982-1985)	PSS16-1.5	149.95
SACHS	RM250	1986	PSS17-00	149.95
SACHS	RM250	1986	PSS17-0.5	149.95
SUZUKI	RM250	1986	PSS17-1.0	149.95
SUZUKI	RM250	1986	PSS17-1.5	149.95
SUZUKI	RM250	(1987-1988)	PSS25-00	164.95
SUZUKI	RM250	(1989-1995)	PSS18-00	149.95
SUZUKI	RM370	(1976-1977)	PSS04-00	179.95
SUZUKI	RM370	(1976-1977)	PSS04-0.5	179.95
SUZUKI	RM370	(1976-1977)	PSS04-1.0	179.95
SUZUKI	RM370	(1976-1977)	PSS04-1.5	179.95
SUZUKI	RM400	(1978-1980)	PSS05-00	179.95
SUZUKI	RM400	(1978-1980)	PSS05-0.25	179.95
SUZUKI	RM400	(1978-1980)	PSS05-0.5	179.95
SUZUKI	RM400	(1978-1980)	PSS05-0.75	179.95
SUZUKI	RM400	(1978-1980)	PSS05-1.25	179.95
SUZUKI	RM500	(1982-1985)	PSS19-00	164.95
SUZUKI	RM500	(1982-1985)	PSS19-0.5	164.95
SUZUKI	RM500	(1982-1985)	PSS19-1.0	164.95
SUZUKI	RM80	(1977-1981)	PSS10-00	89.95
SUZUKI	RM80	(1977-1981)	PSS10-0.5	89.95
SUZUKI	RM80	(1977-1981)	PSS10-1.0	89.95
SUZUKI	RM80	(1977-1981)	PSS10-1.5	89.95
SUZUKI	RM80	(1977-1981)	PSS10-2.0	89.95
SUZUKI	RM80	(1986-1987)	PSS20-00	89.95
SUZUKI	RM80	(1986-1987)	PSS20-0.5	89.95
SUZUKI	RM80	(1986-1987)	PSS20-1.0	89.95
SUZUKI	RM80	(1986-1987)	PSS20-1.5	89.95
SUZUKI	RM80	(1989-1990)	PSS21-00	89.95
SUZUKI	RM80	(1989-1990)	PSS21-0.5	89.95
SUZUKI	RM80	(1989-1990)	PSS21-1.0	89.95
SUZUKI	RM80	(1989-1990)	PSS21-1.5	89.95
SUZUKI	RMX250	(1995-1998)	PSS18-00	149.95
SUZUKI	RS175	(1980-1982)	PSS08-00	139.95
SUZUKI	RS175	(1980-1982)	PSS08-0.5	139.95
SUZUKI	RS175	(1980-1982)	PSS08-1.0	139.95
SUZUKI	RS175	(1980-1982)	PSS08-1.5	139.95
SUZUKI	RS175	(1980-1982)	PSS08-2.0	139.95
SUZUKI	RS250	(1980-1981)	PSS03-00	149.95
SUZUKI	RS250	(1980-1981)	PSS03-0.5	149.95
SUZUKI	RS250	(1980-1981)	PSS03-1.0	149.95
SUZUKI	RS250	(1980-1981)	PSS03-1.5	149.95
SUZUKI	RV125	(1973-1977)	PSS07-00	119.95
SUZUKI	RV125	(1973-1977)	PSS07-0.5	119.95
SUZUKI	RV125	(1973-1977)	PSS07-1.0	119.95
SUZUKI	RV125	(1973-1977)	PSS07-1.5	119.95
SUZUKI	RV125	(1973-1977)	PSS07-2.0	119.95
SUZUKI	TC125	(1972-1977)	PSS07-00	119.95
SUZUKI	TC125	(1972-1977)	PSS07-0.5	119.95
SUZUKI	TC125	(1972-1977)	PSS07-1.0	119.95
SUZUKI	TC125	(1972-1977)	PSS07-1.5	119.95
SUZUKI	TC125	(1972-1977)	PSS07-2.0	119.95
SUZUKI	TC185	(1974-1977)	PSS11-00	149.95
SUZUKI	TC185	(1974-1977)	PSS11-0.5	149.95

SUZUKI	TC185	(1974-1977)	PSS11-1.0	149.95
SUZUKI	TC185	(1974-1977)	PSS11-1.5	149.95
SUZUKI	TC185	(1974-1977)	PSS11-2.0	149.95
SUZUKI	TS125	(1971-1981)	PSS07-00	119.95
SUZUKI	TS125	(1971-1981)	PSS07-0.5	119.95
SUZUKI	TS125	(1971-1981)	PSS07-1.0	119.95
SUZUKI	TS125	(1971-1981)	PSS07-1.5	119.95
SUZUKI	TS125	(1971-1981)	PSS07-2.0	119.95
SUZUKI	TS185	(1971-1981)	PSS11-00	149.95
SUZUKI	TS185	(1971-1981)	PSS11-0.5	149.95
SUZUKI	TS185	(1971-1981)	PSS11-1.0	149.95
SUZUKI	TS185	(1971-1981)	PSS11-1.5	149.95
SUZUKI	TS185	(1971-1981)	PSS11-2.0	149.95
SUZUKI	TS250	(1973-1981)	PSS09-1.0	149.95
SUZUKI	TS250	(1973-1981)	PSS09-1.5	149.95
SUZUKI	Ts250	(1973-1981)	PSS09-2.0	149.95
YAMAHA	125DTE	(1974-1981)	PSY07-00	119.95
YAMAHA	125DTE	(1974-1981)	PSY07-0.25	119.95
YAMAHA	125DTE	(1974-1981)	PSY07-0.5	119.95
YAMAHA	125DTE	(1974-1981)	PSY07-0.75	119.95
YAMAHA	125DTE	(1974-1981)	PSY07-1.0	119.95
YAMAHA	125DTE	(1974-1981)	PSY07-1.25	119.95
YAMAHA	125DTE	(1974-1981)	PSY07-1.5	119.95
YAMAHA	125DTF	(1974-1981)	PSY07-00	119.95
YAMAHA	125DTF	(1974-1981)	PSY07-0.25	119.95
YAMAHA	125DTF	(1974-1981)	PSY07-0.5	119.95
YAMAHA	125DTF	(1974-1981)	PSY07-0.75	119.95
YAMAHA	125DTF	(1974-1981)	PSY07-1.0	119.95
YAMAHA	125DTF	(1974-1981)	PSY07-1.25	119.95
YAMAHA	125DTF	(1974-1981)	PSY07-1.5	119.95
YAMAHA	125DTLC	(1974-1981)	PSY07-00	119.95
YAMAHA	125DTLC	(1974-1981)	PSY07-0.25	119.95
YAMAHA	125DTLC	(1974-1981)	PSY07-0.5	119.95
YAMAHA	125DTLC	(1974-1981)	PSY07-0.75	119.95
YAMAHA	125DTLC	(1974-1981)	PSY07-1.0	119.95
YAMAHA	125DTLC	(1974-1981)	PSY07-1.25	119.95
YAMAHA	125DTLC	(1974-1981)	PSY07-1.5	119.95
YAMAHA	125DTMX	(1974-1981)	PSY07-00	119.95
YAMAHA	125DTMX	(1974-1981)	PSY07-0.25	119.95
YAMAHA	125DTMX	(1974-1981)	PSY07-0.5	119.95
YAMAHA	125DTMX	(1974-1981)	PSY07-0.75	119.95
YAMAHA	125DTMX	(1974-1981)	PSY07-1.0	119.95
YAMAHA	125DTMX	(1974-1981)	PSY07-1.25	119.95
YAMAHA	125DTMX	(1974-1981)	PSY07-1.5	119.95
YAMAHA	DT175	(1979-1981)	PSY10-00	139.95
YAMAHA	DT175	(1979-1981)	PSY10-0.5	139.95
YAMAHA	DT175	(1979-1981)	PSY10-1.0	139.95
YAMAHA	DT175	(1979-1981)	PSY10-1.5	139.95
YAMAHA	DT175	(1979-1981)	PSY10-2.0	139.95
YAMAHA	DT2	1972	PSY02-00	149.95
YAMAHA	DT2	1972	PSY02-0.5	149.95
YAMAHA	DT2	1972	PSY02-1.0	149.95
YAMAHA	DT2	1972	PSY02-1.5	149.95
YAMAHA	DT250	(1974-1979)	PSY02-00	149.95
YAMAHA	DT250	(1974-1979)	PSY02-0.5	149.95
YAMAHA	DT250	(1974-1979)	PSY02-1.0	149.95
YAMAHA	DT250	(1974-1979)	PSY02-1.5	149.95

YAMAHA	DT3	1973	PSY02-00	149.95
YAMAHA	DT3	1973	PSY02-0.5	149.95
YAMAHA	DT3	1973	PSY02-1.0	149.95
YAMAHA	DT3	1973	PSY02-1.5	149.95
YAMAHA	DT400	(1975-1977)	PSY14-00	189.95
YAMAHA	DT400	(1975-1977)	PSY14-0.5	189.95
YAMAHA	DT400	(1975-1977)	PSY14-1.0	189.95
YAMAHA	DT400	(1975-1977)	PSY14-1.5	189.95
YAMAHA	GT1	(1973-1975)	PSY16-00	89.95
YAMAHA	GT1	(1973-1975)	PSY16-1.5	89.95
YAMAHA	GT1	(1973-1975)	PSY16-2.0	89.95
YAMAHA	IT175	(1976-1981)	PSY08-00	139.95
YAMAHA	IT175	(1976-1981)	PSY08-0.5	139.95
YAMAHA	IT175	(1976-1981)	PSY08-1.0	139.95
YAMAHA	IT175	(1976-1981)	PSY08-1.5	139.95
YAMAHA	IT175	(1976-1981)	PSY08-2.0	139.95
YAMAHA	IT175	1982	PSY33-00	139.95
YAMAHA	IT175	1982	PSY33-0.5	139.95
YAMAHA	IT175	1982	PSY33-1.0	139.95
YAMAHA	IT175	1982	PSY33-1.5	139.95
YAMAHA	IT200	(1984-1986)	PSY18-00	139.95
YAMAHA	IT200	(1984-1986)	PSY18-0.5	139.95
YAMAHA	IT200	(1984-1986)	PSY18-1.0	139.95
YAMAHA	IT200	(1984-1986)	PSY18-1.5	139.95
YAMAHA	IT250	(1978-1980)	PSY02-00	149.95
YAMAHA	IT250	(1978-1980)	PSY02-0.5	149.95
YAMAHA	IT250	(1978-1980)	PSY02-1.0	149.95
YAMAHA	IT250	(1978-1980)	PSY02-1.5	149.95
YAMAHA	IT250	1981	PSY09-00	149.95
YAMAHA	IT250	1981	PSY09-0.25	149.95
YAMAHA	IT250	1981	PSY09-0.5	149.95
YAMAHA	IT250	1981	PSY09-0.75	149.95
YAMAHA	IT250	1981	PSY09-1.0	149.95
YAMAHA	IT250	1981	PSY09-1.5	149.95
YAMAHA	IT250	1981	PSY09-2.0	149.95
YAMAHA	IT250	1983	PSY19-00	149.95
YAMAHA	IT250	1983	PSY19-0.5	149.95
YAMAHA	IT250	1983	PSY19-1.0	149.95
YAMAHA	IT250	1983	PSY19-1.5	149.95
YAMAHA	IT400	1976	PSY04-00	179.95
YAMAHA	IT400	1976	PSY04-0.5	179.95
YAMAHA	IT400	1976	PSY04-1.0	179.95
YAMAHA	IT400	1976	PSY04-1.5	179.95
YAMAHA	IT490	(1983-1984)	PSY20-00	164.95
YAMAHA	IT490	(1983-1984)	PSY20-0.5	164.95
YAMAHA	IT490	(1983-1984)	PSY20-1.0	164.95
YAMAHA	IT490	(1983-1984)	PSY20-1.5	164.95
YAMAHA	IT490	(1983-1984)	PSY20-2.0	164.95
YAMAHA	MX125	1976	PSY01-00	119.95
YAMAHA	MX125	1976	PSY01-0.5	119.95
YAMAHA	MX125	1976	PSY01-1.0	119.95
YAMAHA	MX125	1976	PSY01-1.5	119.95
YAMAHA	MX175	(1979-1981)	PSY10-00	139.95
YAMAHA	MX175	(1979-1981)	PSY10-0.5	139.95
YAMAHA	MX175	(1979-1981)	PSY10-1.0	139.95
YAMAHA	MX175	(1979-1981)	PSY10-1.5	139.95
YAMAHA	MX175	(1979-1981)	PSY10-2.0	139.95

YAMAHA	MX250	(1973-1975)	PSY02-00	149.95
YAMAHA	MX250	(1973-1975)	PSY02-0.5	149.95
YAMAHA	MX250	(1973-1975)	PSY02-1.0	149.95
YAMAHA	MX250	(1973-1975)	PSY02-1.5	149.95
YAMAHA	MX400	(1975-1976)	PSY14-00	189.95
YAMAHA	MX400	(1975-1976)	PSY14-0.5	189.95
YAMAHA	MX400	(1975-1976)	PSY14-1.0	189.95
YAMAHA	MX400	(1975-1976)	PSY14-1.5	189.95
YAMAHA	MX80	(1980-1981)	PSY16-00	89.95
YAMAHA	MX80	(1980-1981)	PSY16-1.5	89.95
YAMAHA	MX80	(1980-1981)	PSY16-2.0	89.95
YAMAHA	RS350	(1973-1975)	PSY13-00	169.95
YAMAHA	RS350	(1973-1975)	PSY13-0.5	169.95
YAMAHA	RS350	(1973-1975)	PSY13-0.75	169.95
YAMAHA	RS350	(1973-1975)	PSY13-1.0	169.95
YAMAHA	RS350	(1973-1975)	PSY13-1.25	169.95
YAMAHA	RS350	(1973-1975)	PSY13-1.5	169.95
YAMAHA	RS350	(1973-1975)	PSY13-2.0	169.95
YAMAHA	RT2	1972	PSY02-00	149.95
YAMAHA	RT2	1972	PSY02-0.5	149.95
YAMAHA	RT2	1972	PSY02-1.0	149.95
YAMAHA	RT2	1972	PSY02-1.5	149.95
YAMAHA	RT3	1973	PSY02-00	149.95
YAMAHA	RT3	1973	PSY02-0.5	149.95
YAMAHA	RT3	1973	PSY02-1.0	149.95
YAMAHA	RT3	1973	PSY02-1.5	149.95
YAMAHA	TY250	(1974-1978)	PSY02-00	149.95
YAMAHA	TY250	(1974-1978)	PSY02-0.5	149.95
YAMAHA	TY250	(1974-1978)	PSY02-1.0	149.95
YAMAHA	TY250	(1974-1978)	PSY02-1.5	149.95
YAMAHA	TY80	(1974-1975)	PSY16-00	89.95
YAMAHA	TY80	(1974-1975)	PSY16-1.5	89.95
YAMAHA	TY80	(1974-1975)	PSY16-2.0	89.95
YAMAHA	WR250	(1988-1991)	PSY21-00	149.95
YAMAHA	WR250	(1988-1991)	PSY21-0.5	149.95
YAMAHA	WR250	(1988-1991)	PSY21-1.0	149.95
YAMAHA	WR250	(1988-1991)	PSY21-1.5	149.95
YAMAHA	YZ125	(1976-1981)	PSY01-00	119.95
YAMAHA	YZ125	(1976-1981)	PSY01-0.5	119.95
YAMAHA	YZ125	(1976-1981)	PSY01-1.0	119.95
YAMAHA	YZ125	(1976-1981)	PSY01-1.5	119.95
YAMAHA	YZ125	1983	PSY31-00	119.95
YAMAHA	YZ125	1983	PSY31-0.5	119.95
YAMAHA	YZ125	1983	PSY31-1.0	119.95
YAMAHA	YZ125	1983	PSY31-1.5	119.95
YAMAHA	YZ125	1984	PSY30-00	119.95
YAMAHA	YZ125	1984	PSY30-0.5	119.95
YAMAHA	YZ125	1984	PSY30-1.0	119.95
YAMAHA	YZ125	1984	PSY30-1.5	119.95
YAMAHA	YZ125	(1986-1988)	PSY29-00	119.95
YAMAHA	YZ125	(1986-1988)	PSY29-0.5	119.95
YAMAHA	YZ125	(1986-1988)	PSY29-1.0	119.95
YAMAHA	YZ125	(1986-1988)	PSY29-1.5	119.95
YAMAHA	YZ125	1989	PSY32-00	119.95
YAMAHA	YZ125	(1990-1993)	PSY28-00	119.95
YAMAHA	YZ175	(1976-1981)	PSY08-00	139.95
YAMAHA	YZ175	(1976-1981)	PSY08-0.5	139.95

YAMAHA	YZ175	(1976-1981)	PSY08-1.0	139.95
YAMAHA	YZ175	(1976-1981)	PSY08-1.5	139.95
YAMAHA	YZ175	(1976-1981)	PSY08-2.0	139.95
YAMAHA	YZ250	(1976-1979)	PSY02-00	149.95
YAMAHA	YZ250	(1976-1979)	PSY02-0.5	149.95
YAMAHA	YZ250	(1976-1979)	PSY02-1.0	149.95
YAMAHA	YZ250	(1976-1979)	PSY02-1.5	149.95
YAMAHA	YZ250	(1980-1981)	PSY09-00	149.95
YAMAHA	YZ250	(1980-1981)	PSY09-0.25	149.95
YAMAHA	YZ250	(1980-1981)	PSY09-0.5	149.95
YAMAHA	YZ250	(1980-1981)	PSY09-0.75	149.95
YAMAHA	YZ250	(1980-1981)	PSY09-1.0	149.95
YAMAHA	YZ250	(1980-1981)	PSY09-1.5	149.95
YAMAHA	YZ250	(1980-1981)	PSY09-2.0	149.95
YAMAHA	YZ250	(1983-1987)	PSY27-00	149.95
YAMAHA	YZ250	(1983-1987)	PSY27-0.5	149.95
YAMAHA	YZ250	(1983-1987)	PSY27-1.0	149.95
YAMAHA	YZ250	(1983-1987)	PSY27-1.5	149.95
YAMAHA	YZ400	(1976-1978)	PSY04-00	179.95
YAMAHA	YZ400	(1976-1978)	PSY04-0.5	179.95
YAMAHA	YZ400	(1976-1978)	PSY04-1.0	179.95
YAMAHA	YZ400	(1976-1978)	PSY04-1.5	179.95
YAMAHA	YZ465	(1980-1981)	PSY06-00	179.95
YAMAHA	YZ465	(1980-1981)	PSY06-0.5	179.95
YAMAHA	YZ465	(1980-1981)	PSY06-1.0	179.95
YAMAHA	YZ465	(1980-1981)	PSY06-1.5	179.95
YAMAHA	YZ80	(1973-1975)	PSY16-00	89.95
YAMAHA	YZ80	(1973-1975)	PSY16-1.5	89.95
YAMAHA	YZ80	(1973-1975)	PSY16-2.0	89.95
YAMAHA	YZ80	(1976-1980)	PSY11-00	89.95
YAMAHA	YZ80	(1976-1980)	PSY11-0.5	89.95
YAMAHA	YZ80	(1976-1980)	PSY11-1.0	89.95
YAMAHA	YZ80	(1976-1980)	PSY11-1.5	89.95
YAMAHA	YZ80	(1976-1980)	PSY11-2.0	89.95
YAMAHA	YZ80	1981	PSY12-00	89.95
YAMAHA	YZ80	1981	PSY12-0.5	89.95
YAMAHA	YZ80	1981	PSY12-1.0	89.95
YAMAHA	YZ80	1981	PSY12-1.5	89.95
YAMAHA	YZ80	1981	PSY12-2.0	89.95
YAMAHA	YZ80	(1982-1983)	PSY23-00	89.95
YAMAHA	YZ80	(1982-1983)	PSY23-0.5	89.95
YAMAHA	YZ80	(1982-1983)	PSY23-1.0	89.95
YAMAHA	YZ80	(1982-1983)	PSY23-1.5	89.95
YAMAHA	YZ80	1984	PSY24-00	89.95
YAMAHA	YZ80	1984	PSY24-0.5	89.95
YAMAHA	YZ80	1984	PSY24-1.0	89.95
YAMAHA	YZ80	1984	PSY24-1.5	89.95
YAMAHA	YZ80	(1985-1987)	PSY25-00	89.95
YAMAHA	YZ80	(1985-1987)	PSY25-0.5	89.95
YAMAHA	YZ80	(1985-1987)	PSY25-1.0	89.95
YAMAHA	YZ80	(1985-1987)	PSY25-1.5	89.95
YAMAHA	YZ80	(1988-1992)	PSY26-00	89.95
YAMAHA	YZ80	(1988-1992)	PSY26-0.5	89.95
YAMAHA	YZ80	(1988-1992)	PSY26-1.0	89.95
YAMAHA	YZ80	(1988-1992)	PSY26-1.5	89.95

3/4 Wheeler

HONDA	ATC250R	(1981-1984)	PSH06-00	149.95
HONDA	ATC250R	(1981-1984)	PSH06-0.5	149.95
HONDA	ATC250R	(1981-1984)	PSH06-1.0	149.95
HONDA	ATC250R	(1981-1984)	PSH06-1.5	149.95
HONDA	ATC250R	(1981-1984)	PSH06-2.0	149.95
HONDA	ATC250R	(1987-1990)	PSH10-00	149.95
HONDA	ATC250R	(1987-1990)	PSH10-0.5	149.95
HONDA	ATC250R	(1987-1990)	PSH10-1.0	149.95
HONDA	ATC250R	(1987-1990)	PSH10-1.5	149.95
HONDA	ATC250R	(1987-1990)	PSH10-2.0	149.95
SUZUKI	LT250R Quadracer	1987	PSS22-00	149.95
SUZUKI	LT250R Quadracer	1987	PSS22-0.5	149.95
SUZUKI	LT250R Quadracer	1987	PSS22-1.0	149.95
SUZUKI	LT250R Quadracer	1987	PSS22-1.5	149.95
SUZUKI	LT250R Quadracer	1987	PSS22-2.0	149.95
SUZUKI	LT250R	(1985-1986)	PSS23-00	149.95
SUZUKI	LT250R	(1985-1986)	PSS23-0.5	149.95
SUZUKI	LT250R	(1985-1986)	PSS23-1.0	149.95
SUZUKI	LT250R	(1985-1986)	PSS23-1.5	149.95
SUZUKI	LT250R	(1985-1986)	PSS23-2.0	149.95
SUZUKI	LT500R	(1987-1990)	PSS24-00	164.95
SUZUKI	LT500R	(1987-1990)	PSS24-0.5	164.95
SUZUKI	LT500R	(1987-1990)	PSS24-1.0	164.95
SUZUKI	LT500R	(1987-1990)	PSS24-1.5	164.95
SUZUKI	LT500R	(1987-1990)	PSS24-2.0	164.95
SUZUKI	LT500R	(1987-1990)	PSS24-2.5	164.95
YAMAHA	YFS200 Blaster	(1988-2006)	PSY22-00	139.95
YAMAHA	YFS200 Blaster	(1988-2006)	PSY22-0.5	139.95
YAMAHA	YFS200 Blaster	(1988-2006)	PSY22-1.0	139.95
YAMAHA	YFS200 Blaster	(1988-2006)	PSY22-1.5	139.95
YAMAHA	YFS200 Blaster	(1988-2006)	PSY22-2.0	139.95

STREET

KAWASAKI	H1-500	(1969-1975)	PSK01-00	149.95
KAWASAKI	H1-500	(1969-1975)	PSK01-0.5	149.95
KAWASAKI	H1-500	(1969-1975)	PSK01-1.0	149.95
KAWASAKI	H1-500	(1969-1975)	PSK01-1.5	149.95
KAWASAKI	H2-750	(1972-1975)	PSK02-00	139.95
KAWASAKI	H2-750	(1972-1975)	PSK02-0.5	139.95
KAWASAKI	H2-750	(1972-1975)	PSK02-1.0	139.95
KAWASAKI	H2-750	(1972-1975)	PSK02-1.5	139.95
*KAWASAKI	H2-750 RACE	(1972-1975)	PSK03-0.5-18MM	149.95
*KAWASAKI	H2-750 RACE	(1972-1975)	PSK03-00-18MM	149.95
*KAWASAKI	H2-750 RACE	(1972-1975)	PSK03-1.0-18MM	149.95
*KAWASAKI	H2-750 RACE	(1972-1975)	PSK03-1.5-18MM	149.95
KAWASAKI	KH500	1976	PSK01-00	149.95
KAWASAKI	KH500	1976	PSK01-0.5	149.95
KAWASAKI	KH500	1976	PSK01-1.0	149.95
KAWASAKI	KH500	1976	PSK01-1.5	149.95
YAMAHA	RD250	(1973-1975)	PSY17-00	149.95
YAMAHA	RD250	(1973-1975)	PSY17-0.5	149.95
YAMAHA	RD250	(1973-1975)	PSY17-1.0	149.95
YAMAHA	RD250	(1973-1975)	PSY17-1.5	149.95
YAMAHA	RD250	(1973-1975)	PSY17-2.0	149.95
YAMAHA	RD250	(1973-1975)	PSY17-2.5	149.95
YAMAHA	RD350	(1973-1975)	PSY03-00	169.95
YAMAHA	RD350	(1973-1975)	PSY03-0.5	169.95

YAMAHA	RD350	(1973-1975)	PSY03-1.0169.95
YAMAHA	RD350	(1973-1975)	PSY03-1.5169.95
YAMAHA	RD400	(1976-1981)	PSY03-00169.95
YAMAHA	RD400	(1976-1981)	PSY03-0.5169.95
YAMAHA	RD400	(1976-1981)	PSY03-1.0169.95
YAMAHA	RD400	(1976-1981)	PSY03-1.5169.95

Top-End Piston Kits



VintCo has all new top end piston kits to help you keep the ride going! These full top end kits come with everything you need to get your rebuild done easily and cost effectively. These top end kits includes a high quality VintCo Piston kit (piston, rings, pin and clips), top end bearing and a full top end gasket kit. All components are made with modern materials and manufacturing techniques to ensure an as good or better than OEM fitment and performance. The OEM part numbers are provided as a reference to ensure exact fitment. There are multiple sizes of pistons available starting at standard bore with larger overbore sizes available. The kit will save you 10% compared to buying the pieces individually. The OEM part numbers are provided as a reference to ensure exact fitment (online at www.vintco.com).

DIRT

HONDA	CR125	(1974-1975)	KTH01-00183.95
HONDA	CR125	(1974-1975)	KTH01-0.5183.95
HONDA	CR125	(1974-1975)	KTH01-1.0183.95
HONDA	CR125	(1974-1975)	KTH01-1.5183.95
HONDA	CR125	(1976-1978)	KTH02-00173.95
HONDA	CR125	(1976-1978)	KTH02-0.5173.95
HONDA	CR125	(1976-1978)	KTH02-1.0173.95
HONDA	CR125	(1976-1978)	KTH02-1.5173.95
HONDA	CR125	1979	KTH03-00179.95
HONDA	CR125	1979	KTH03-0.5179.95
HONDA	CR125	1979	KTH03-1.0179.95
HONDA	CR125	1979	KTH03-1.5179.95
HONDA	CR125	1980	KTH04-00184.95
HONDA	CR125	1980	KTH04-0.5184.95
HONDA	CR125	1980	KTH04-1.0184.95
HONDA	CR125	1980	KTH04-1.5184.95
HONDA	CR125	1981	KTH05-00180.95
HONDA	CR125	1981	KTH05-0.5180.95
HONDA	CR125	1981	KTH05-1.0180.95
HONDA	CR125	1981	KTH05-1.5180.95
HONDA	CR250	(1973-1974)	KTH06-00203.95
HONDA	CR250	(1973-1974)	KTH06-0.5203.95
HONDA	CR250	(1973-1974)	KTH06-1.0203.95
HONDA	CR250	(1973-1974)	KTH06-1.5203.95
HONDA	CR250	(1975-1976)	KTH07-00202.95
HONDA	CR250	(1975-1976)	KTH07-0.5202.95
HONDA	CR250	(1975-1976)	KTH07-1.0202.95
HONDA	CR250	(1975-1976)	KTH07-1.5202.95
HONDA	CR250	(1978-1980)	KTH08-00201.95
HONDA	CR250	(1978-1980)	KTH08-0.5201.95
HONDA	CR250	(1978-1980)	KTH08-1.0201.95
HONDA	CR250	(1978-1980)	KTH08-1.5201.95
HONDA	CR250	(1978-1980)	KTH08-2.0201.95
HONDA	CR250	(1981-1982)	KTH09-00210.95
HONDA	CR250	(1981-1982)	KTH09-0.5210.95
HONDA	CR250	(1981-1982)	KTH09-1.0210.95
HONDA	CR250	(1981-1982)	KTH09-1.5210.95
HONDA	CR80R	(1980-1981)	KTH10-00134.95
HONDA	CR80R	(1980-1981)	KTH10-0.5134.95
HONDA	CR80R	(1980-1981)	KTH10-1.0134.95

HONDA	CR80R	(1980-1981)	KTH10-1.5	134.95
HONDA	CR80R	(1980-1981)	KTH10-2.0	134.95
HONDA	MT125	1977	KTH01-00	183.95
HONDA	MT125	1977	KTH01-0.5	183.95
HONDA	MT125	1977	KTH01-1.0	183.95
HONDA	MT125	1977	KTH01-1.5	183.95
HUSQVARNA	CR250	(1974-1977)	KTU01-00	189.95
HUSQVARNA	CR250	(1974-1977)	KTU01-0.5	189.95
HUSQVARNA	CR250	(1974-1977)	KTU01-1.0	189.95
HUSQVARNA	CR250	(1974-1977)	KTU01-1.5	189.95
HUSQVARNA	CR250	(1978-1979)	KTU02-00	189.95
HUSQVARNA	CR250	(1978-1979)	KTU02-0.5	189.95
HUSQVARNA	CR250	(1978-1979)	KTU02-1.0	189.95
HUSQVARNA	CR250	(1978-1979)	KTU02-1.5	189.95
HUSQVARNA	CR250	(1980-1981)	KTU03-00	189.95
HUSQVARNA	CR250	(1980-1981)	KTU03-0.5	189.95
HUSQVARNA	CR250	(1980-1981)	KTU03-1.5	189.95
HUSQVARNA	CR250	(1980-1981)	KTU03-1.0	189.95
KAWASAKI	KX125	(1978-1979)	KTK04-00	208.95
KAWASAKI	KX125	(1978-1979)	KTK04-0.5	208.95
KAWASAKI	KX125	(1978-1979)	KTK04-1.0	208.95
KAWASAKI	KX125	(1978-1979)	KTK04-1.5	208.95
KAWASAKI	KX125	1980	KTK05-00	166.95
KAWASAKI	KX125	1980	KTK05-0.5	166.95
KAWASAKI	KX125	1980	KTK05-1.0	166.95
KAWASAKI	KX125	1980	KTK05-1.5	166.95
KAWASAKI	KX125	1981	KTK06-00	179.95
KAWASAKI	KX125	1981	KTK06-0.5	179.95
KAWASAKI	KX125	1981	KTK06-1.0	179.95
KAWASAKI	KX125	1981	KTK06-1.5	179.95
KAWASAKI	KX250	(1978-1979)	KTK07-00	214.95
KAWASAKI	KX250	(1978-1979)	KTK07-0.5	214.95
KAWASAKI	KX250	(1978-1979)	KTK07-1.0	214.95
KAWASAKI	KX250	(1978-1979)	KTK07-1.5	214.95
KAWASAKI	KX250	(1980-1981)	KTK08-00	203.95
KAWASAKI	KX250	(1980-1981)	KTK08-0.5	203.95
KAWASAKI	KX250	(1980-1981)	KTK08-1.0	203.95
KAWASAKI	KX250	(1980-1981)	KTK08-1.5	203.95
MAICO	GS400	(1978-1979)	KTA03-00	206.95
MAICO	GS400	(1978-1979)	KTA03-0.5	206.95
MAICO	GS400	(1978-1979)	KTA03-1.0	206.95
MAICO	GS400	(1978-1979)	KTA03-1.5	206.95
MAICO	GS440	(1978-1979)	KTA05-00	214.95
MAICO	GS440	(1978-1979)	KTA05-0.5	214.95
MAICO	GS440	(1978-1979)	KTA05-1.0	214.95
MAICO	GS440	(1978-1979)	KTA05-1.5	214.95
MAICO	MC250	(1973-1980)	KTA01-00	199.95
MAICO	MC250	(1973-1980)	KTA01-0.5	199.95
MAICO	MC250	(1973-1980)	KTA01-1.0	199.95
MAICO	MC250	(1973-1980)	KTA01-1.5	199.95
MAICO	MC250	1981	KTA02-00	199.95
MAICO	MC250	1981	KTA02-0.5	199.95
MAICO	MC250	1981	KTA02-1.0	199.95
MAICO	MC250	1981	KTA02-1.5	199.95
MAICO	MC400	(1974-1980)	KTA03-00	206.95
MAICO	MC400	(1974-1980)	KTA03-0.5	206.95
MAICO	MC400	(1974-1980)	KTA03-1.0	206.95

MAICO	MC400	(1974-1980)	KTA03-1.5	206.95
MAICO	MC400	1981	KTA04-00	206.95
MAICO	MC400	1981	KTA04-0.5	206.95
MAICO	MC400	1981	KTA04-1.0	206.95
MAICO	MC400	1981	KTA04-1.5	206.95
MAICO	MC440	(1973-1980)	KTA05-00	214.95
MAICO	MC440	(1973-1980)	KTA05-0.5	214.95
MAICO	MC440	(1973-1980)	KTA05-1.0	214.95
MAICO	MC440	(1973-1980)	KTA05-1.5	214.95
MAICO	MC490	(1981-1982)	KTA06-00	214.95
MAICO	MC490	(1981-1982)	KTA06-0.5	214.95
MAICO	MC490	(1981-1982)	KTA06-1.0	214.95
MAICO	MC490	(1981-1982)	KTA06-1.5	214.95
SUZUKI	PE250	(1977-1979)	KTS03-00	197.95
SUZUKI	PE250	(1977-1979)	KTS03-0.5	197.95
SUZUKI	PE250	(1977-1979)	KTS03-1.0	197.95
SUZUKI	PE250	(1977-1979)	KTS03-1.5	197.95
SUZUKI	PE250	(1980-1981)	KTS04-00	218.95
SUZUKI	RM125	(1977-1978)	KTS01-00	162.95
SUZUKI	RM125	(1977-1978)	KTS01-0.5	162.95
SUZUKI	RM125	(1977-1978)	KTS01-1.0	162.95
SUZUKI	RM125	(1977-1978)	KTS01-1.5	162.95
SUZUKI	RM125	(1979-1980)	KTS02-00	172.95
SUZUKI	RM125	(1979-1980)	KTS02-0.5	172.95
SUZUKI	RM125	(1979-1980)	KTS02-1.0	172.95
SUZUKI	RM125	(1979-1980)	KTS02-1.5	172.95
SUZUKI	RM250	(1977-1978)	KTS03-00	197.95
SUZUKI	RM250	(1977-1978)	KTS03-0.5	197.95
SUZUKI	RM250	(1977-1978)	KTS03-1.0	197.95
SUZUKI	RM250	(1977-1978)	KTS03-1.5	197.95
SUZUKI	RM250	(1979-1980)	KTS04-00	218.95
SUZUKI	RM250	(1979-1980)	KTS04-0.5	218.95
SUZUKI	RM250	(1979-1980)	KTS04-1.0	218.95
SUZUKI	RM250	(1979-1980)	KTS04-1.5	218.95
SUZUKI	RM250	1981	KTS05-00	204.95
SUZUKI	RM250	1981	KTS05-0.5	204.95
SUZUKI	RM250	1981	KTS05-1.0	204.95
SUZUKI	RM250	1981	KTS05-1.5	204.95
SUZUKI	RM250	1986	KTS09-00	199.95
SUZUKI	RM250	1986	KTS09-0.5	199.95
SUZUKI	RM250	1986	KTS09-1.0	199.95
SUZUKI	RM250	1986	KTS09-1.5	199.95
SUZUKI	RM250	(1989-1990)	KTS10-00	199.95
SUZUKI	RM370	(1976-1977)	KTS06-00	234.95
SUZUKI	RM370	(1976-1977)	KTS06-0.5	234.95
SUZUKI	RM370	(1976-1977)	KTS06-1.0	234.95
SUZUKI	RM370	(1976-1977)	KTS06-1.5	234.95
SUZUKI	RM400	1978	KTS07-00	234.95
SUZUKI	RM400	(1978-1980)	KTS07-0.25	234.95
SUZUKI	RM400	(1978-1980)	KTS07-0.5	234.95
SUZUKI	RM400	(1978-1980)	KTS07-0.75	234.95
SUZUKI	RM400	(1978-1980)	KTS07-1.25	234.95
SUZUKI	RM400	(1979-1980)	KTS08-00	239.95
SUZUKI	RS250	(1980-1981)	KTS04-00	218.95
YAMAHA	DT400	(1975-1976)	KTY17-00	254.95
YAMAHA	DT400	(1975-1976)	KTY17-0.5	254.95
YAMAHA	DT400	(1975-1976)	KTY17-1.0	254.95

YAMAHA	DT400	(1975-1976)	KTY17-1.5	254.95
YAMAHA	IT400	1976	KTY15-00	283.95
YAMAHA	IT400	1976	KTY15-0.5	283.95
YAMAHA	IT400	1976	KTY15-1.0	283.95
YAMAHA	IT400	1976	KTY15-1.5	283.95
YAMAHA	MX250	1975	KTY08-00	227.95
YAMAHA	MX250	1975	KTY08-0.5	227.95
YAMAHA	MX250	1975	KTY08-1.0	227.95
YAMAHA	MX250	1975	KTY08-1.5	227.95
YAMAHA	MX400	1975	KTY17-00	254.95
YAMAHA	MX400	1975	KTY17-0.5	254.95
YAMAHA	MX400	1975	KTY17-1.0	254.95
YAMAHA	MX400	1975	KTY17-1.5	254.95
YAMAHA	YZ125	1976	KTY01-00	178.95
YAMAHA	YZ125	1976	KTY01-0.5	178.95
YAMAHA	YZ125	1976	KTY01-1.0	178.95
YAMAHA	YZ125	1976	KTY01-1.5	178.95
YAMAHA	YZ125	1977	KTY02-00	180.95
YAMAHA	YZ125	1977	KTY02-0.5	180.95
YAMAHA	YZ125	1977	KTY02-1.0	180.95
YAMAHA	YZ125	1977	KTY02-1.5	180.95
YAMAHA	YZ125	1978	KTY03-00	176.95
YAMAHA	YZ125	1978	KTY03-0.5	176.95
YAMAHA	YZ125	1978	KTY03-1.0	176.95
YAMAHA	YZ125	1978	KTY03-1.5	176.95
YAMAHA	YZ125	1979	KTY05-00	159.95
YAMAHA	YZ125	1979	KTY05-0.5	159.95
YAMAHA	YZ125	1979	KTY05-1.0	159.95
YAMAHA	YZ125	1979	KTY05-1.5	159.95
YAMAHA	YZ125	1980	KTY06-00	184.95
YAMAHA	YZ125	1980	KTY06-0.5	184.95
YAMAHA	YZ125	1980	KTY06-1.0	184.95
YAMAHA	YZ125	1980	KTY06-1.5	184.95
YAMAHA	YZ125	1981	KTY07-00	168.95
YAMAHA	YZ125	1981	KTY07-0.5	168.95
YAMAHA	YZ125	1981	KTY07-1.0	168.95
YAMAHA	YZ125	1981	KTY07-1.5	168.95
YAMAHA	YZ250	1976	KTY08-00	227.95
YAMAHA	YZ250	1976	KTY08-0.5	227.95
YAMAHA	YZ250	1976	KTY08-1.0	227.95
YAMAHA	YZ250	1976	KTY08-1.5	227.95
YAMAHA	YZ250	1977	KTY09-00	243.95
YAMAHA	YZ250	1977	KTY09-0.5	243.95
YAMAHA	YZ250	1977	KTY09-1.0	243.95
YAMAHA	YZ250	1977	KTY09-1.5	243.95
YAMAHA	YZ250	1978	KTY10-00	234.95
YAMAHA	YZ250	1978	KTY10-0.5	234.95
YAMAHA	YZ250	1978	KTY10-1.0	234.95
YAMAHA	YZ250	1978	KTY10-1.5	234.95
YAMAHA	YZ250	1979	KTY11-00	204.95
YAMAHA	YZ250	1979	KTY11-0.5	204.95
YAMAHA	YZ250	1979	KTY11-1.0	204.95
YAMAHA	YZ250	1979	KTY11-1.5	204.95
YAMAHA	YZ250	(1980-1981)	KTY12-00	216.95
YAMAHA	YZ250	(1980-1981)	KTY12-0.5	216.95
YAMAHA	YZ250	(1980-1981)	KTY12-1.0	216.95
YAMAHA	YZ250	(1980-1981)	KTY12-1.5	216.95

YAMAHA	YZ400	(1976-1978)	KTY15-00283.95
YAMAHA	YZ400	(1976-1978)	KTY15-0.5283.95
YAMAHA	YZ400	(1976-1978)	KTY15-1.0283.95
YAMAHA	YZ400	(1976-1978)	KTY15-1.5283.95
YAMAHA	YZ465	(1980-1981)	KTY16-00244.95
YAMAHA	YZ465	(1980-1981)	KTY16-0.5244.95
YAMAHA	YZ465	(1980-1981)	KTY16-1.0244.95
YAMAHA	YZ465	(1980-1981)	KTY16-1.5244.95

STREET

KAWASAKI	H1-500	(1969-1973)	KTK01-00592.95
KAWASAKI	H1-500	(1969-1973)	KTK01-0.5592.95
KAWASAKI	H1-500	(1969-1973)	KTK01-1.0592.95
KAWASAKI	H1-500	(1969-1973)	KTK01-1.5592.95
KAWASAKI	H1-500	(1974-1975)	KTK02-00592.95
KAWASAKI	H1-500	(1974-1975)	KTK02-0.5592.95
KAWASAKI	H1-500	(1974-1975)	KTK02-1.0592.95
KAWASAKI	H1-500	(1974-1975)	KTK02-1.5592.95
KAWASAKI	H2-750	(1972-1975)	KTK03-00559.95
KAWASAKI	H2-750	(1972-1975)	KTK03-0.5559.95
KAWASAKI	H2-750	(1972-1975)	KTK03-1.0559.95
KAWASAKI	H2-750	(1972-1975)	KTK03-1.5559.95
*KAWASAKI	H2-750 RACE	(1972-1975)	KTK09-00589.95
*KAWASAKI	H2-750 RACE	(1972-1975)	KTK09-0.5589.95
*KAWASAKI	H2-750 RACE	(1972-1975)	KTK09-1.0589.95
*KAWASAKI	H2-750 RACE	(1972-1975)	KTK09-1.5589.95
KAWASAKI	KH500	1976	KTK02-00592.95
KAWASAKI	KH500	1976	KTK02-0.5592.95
KAWASAKI	KH500	1976	KTK02-1.0592.95
KAWASAKI	Kh500	1976	KTK02-1.5592.95
YAMAHA	RD350	(1973-1975)	KTY13-00456.95
YAMAHA	RD350	(1973-1975)	KTY13-0.5456.95
YAMAHA	RD350	(1973-1975)	KTY13-1.0456.95
YAMAHA	RD350	(1973-1975)	KTY13-1.5456.95
YAMAHA	RD400	(1976-1978)	KTY14-00456.95
YAMAHA	RD400	(1976-1978)	KTY14-0.5456.95
YAMAHA	RD400	(1976-1978)	KTY14-1.0456.95
YAMAHA	RD400	(1976-1978)	KTY14-1.5456.95

Clutch Cables



VintCo has a line of OEM replica clutch cable assemblies for your vintage motorcycle. In many cases these used to be hard to find and expensive. This is not the case anymore. These all new clutch cables are made with modern materials and manufacturing techniques to ensure an as good or better than OEM fitment and performance. These are an accurate reproduction of the OEM cable. The OEM part numbers are provided as a reference to ensure exact fitment (online at www.vintco.com). These newly manufactured clutch cables from VintCo will help you keep the ride going!

DIRT

HONDA	CR125	(1974-1975)	C1C001 19.95
HONDA	CR125	(1976-1978)	C1C002 19.95
HONDA	CR125	(1979-1980)	C1C005 24.95
HONDA	CR250	(1978-1980)	C1C004 19.95
HONDA	MR175	(1975-1976)	C1C001 19.95
HONDA	MT125	(1974-1976)	C1C001 19.95
HONDA	XL250	(1972-1976)	C1C002 19.95
HONDA	XL350	(1974-1978)	C1C002 19.95

KAWASAKI	KDX250	1981	C3C002	29.95
KAWASAKI	KDX450	1982	C3C002	29.95
KAWASAKI	KX125	(1978-1979)	C3C001	29.95
KAWASAKI	KX250	(1978-1979)	C3C001	29.95
KAWASAKI	KX250	(1980-1981)	C3C002	29.95
SUZUKI	RM100	1976	C6C001	19.95
SUZUKI	RM100	(1977-1980)	C6C002	19.95
SUZUKI	RM125	1975	C6C001	19.95
SUZUKI	RM125	(1976-1978)	C6C002	19.95
SUZUKI	RM250	(1976-1978)	C6C002	19.95
SUZUKI	RM250	(1979-1980)	C6C003	19.95
SUZUKI	RM370	(1976-1977)	C6C002	19.95
SUZUKI	RM400	1978	C6C002	19.95
SUZUKI	RM400	(1979-1980)	C6C004	19.95
SUZUKI	RS175	(1980-1981)	C6C002	19.95
SUZUKI	RS250	(1980-1981)	C6C003	19.95
SUZUKI	TC125	(1973-1977)	C6C001	19.95
SUZUKI	TC185	(1974-1976)	C6C001	19.95
SUZUKI	TM100	(1974-1975)	C6C001	19.95
SUZUKI	TM125	(1973-1975)	C6C001	19.95
SUZUKI	TS125	(1973-1977)	C6C001	19.95
YAMAHA	IT175	(1980-1981)	C7C002	19.95
YAMAHA	IT200	(1977-1978)	C7C004	22.95
YAMAHA	IT250	(1979-1980)	C7C005	39.95
YAMAHA	IT400	(1977-1978)	C7C004	22.95
YAMAHA	IT400	1979	C7C005	39.95
YAMAHA	IT425	1980	C7C005	39.95
YAMAHA	YZ100	(1978-1979)	C7C001	19.95
YAMAHA	YZ125	(1978-1979)	C7C001	19.95
YAMAHA	YZ125	1980	C7C002	19.95
YAMAHA	YZ125	1981	C7C003	22.95
YAMAHA	YZ250	1977	C7C004	22.95
YAMAHA	YZ250	1980	C7C006	34.95
YAMAHA	YZ250	(1978-1979)	C7C005	39.95
YAMAHA	YZ400	(1977-1978)	C7C004	22.95
YAMAHA	YZ400	1979	C7C005	39.95
YAMAHA	YZ465	1980	C7C006	34.95

Front Brake Cables



VintCo has a solution for the front brake cable for your vintage motorcycle. These cables are prone to wear or breaking and can be very hard to find for a reasonable price until now. These all new front brake cables are made with modern materials and manufacturing techniques to ensure an as good or better than OEM fitment and performance. These are an accurate reproduction of the OEM cable. The OEM part numbers are provided as a reference to ensure exact fitment (online at www.vintco.com).

This newly manufactured front brake cable from VintCo will help you keep the ride going!

DIRT

HONDA	CR125	1975	C1F001	39.95
HONDA	CR125	(1979-1980)	C1F002	39.95
HONDA	CR125	1981	C1F003	39.95
HONDA	CR250	(1978-1980)	C1F002	39.95
HONDA	CR250	1981	C1F005	39.95
HONDA	CR450	1981	C1F005	39.95
HONDA	MT125	(1974-1975)	C1F001	39.95
HONDA	XL125	(1974-1976)	C1F001	39.95
HONDA	XL500	1982	C1F005	39.95

SUZUKI	DR400	(1978-1980)	C6F001	34.95
SUZUKI	RM125	(1977-1979)	C6F001	34.95
SUZUKI	RM250	(1976-1977)	C6F002	29.95
SUZUKI	RM250	(1978-1980)	C6F001	34.95
SUZUKI	RM370	(1976-1977)	C6F002	29.95
SUZUKI	RM400	(1978-1980)	C6F001	34.95
SUZUKI	RS250	(1980-1981)	C6F001	34.95
SUZUKI	RS175	(1980-1981)	C6F001	34.95
YAMAHA	IT175	(1977-1979)	C7B001	39.95
YAMAHA	IT250	(1977-1979)	C7B002	39.95
YAMAHA	IT250	1980	C7B003	24.95
YAMAHA	IT400	(1977-1979)	C7B002	39.95
YAMAHA	IT425	1980	C7B003	24.95
YAMAHA	TT500	(1979-1981)	C7B001	39.95
YAMAHA	YZ125	(1978-1979)	C7B001	39.95
YAMAHA	YZ125	1980	C7B002	39.95
YAMAHA	YZ125	1981	C7B003	24.95
YAMAHA	YZ250	(1978-1979)	C7B002	39.95
YAMAHA	YZ250	(1980-1981)	C7B003	24.95
YAMAHA	YZ400	(1978-1979)	C7B002	39.95
YAMAHA	YZ465	(1980-1981)	C7B003	24.95

Rear Brake Cables



VintCo has a solution for the rear brake cable for your vintage motorcycle. These cables are prone to wear or breaking and can be very hard to find for a reasonable price until now. These all new rear brake cables are made with modern materials and manufacturing techniques to ensure an as good or better than OEM fitment and performance. These are an accurate reproduction of the OEM cable. The OEM part numbers are provided as a reference to ensure exact fitment (online at www.vintco.com). This newly manufactured front brake cable from VintCo will help you keep the ride going!

DIRT

HONDA	CR125	1974	C1R001	89.95
HONDA	CR125	(1975-1978)	C1R002	89.95
HONDA	CR250	(1973-1974)	C1R003	69.95
HONDA	CR250	(1975-1976)	C1R004	49.95
HONDA	MR175	(1975-1977)	C1R002	89.95
HONDA	MR250	1976	C1R004	49.95
HONDA	MT125	(1976-1978)	C1R002	89.95
HONDA	MT125	1977	C1R002	89.95
SUZUKI	TS125	(1971-1977)	C6R001	49.95
SUZUKI	TM125	(1973-1975)	C6R001	49.95
SUZUKI	TC125	(1973-1977)	C6R001	49.95
SUZUKI	TM100	(1974-1975)	C6R001	49.95
SUZUKI	RM125	1975	C6R001	49.95
SUZUKI	RM100	1976	C6R001	49.95
SUZUKI	RM250	(1976-1977)	C6R003	39.95
SUZUKI	RM370	(1976-1977)	C6R003	39.95
SUZUKI	RM250	1978	C6R004	39.95
SUZUKI	RM400	1978	C6R004	39.95

Front Wheel Bearing Kits



VintCo has all new front wheel bearing kits to help you keep the ride going! These front wheel bearing kits are made with modern materials and manufacturing techniques to ensure an as good or better than OEM fitment and performance. The front wheel bearing kits include both of the high quality bearings and seals you need to complete your build with ease. The OEM part numbers are provided as a reference to ensure exact fitment (online at www.vintco.com).

DIRT

HONDA	CI100	(1970-1973)	KWF002	19.95
HONDA	CL125	1974	KWF001	19.95
HONDA	CR125	(1974-1975)	KWF001	19.95
HONDA	CR125	(1976-1978)	KWF002	19.95
HONDA	CR125	(1979-1981)	KWF003	19.95
HONDA	CR125	(1982-1984)	KWF005	19.95
HONDA	CR250	(1973-1976)	KWF004	19.95
HONDA	CR250	(1978-1980)	KWF003	19.95
HONDA	CR250	(1981-1984)	KWF005	19.95
HONDA	CR450	1981	KWF005	19.95
HONDA	CR480	(1982-1983)	KWF005	19.95
HONDA	CR500	1984	KWF005	19.95
HONDA	CR80R	(1980-1982)	KWF002	19.95
HONDA	CT70	(1970-1994)	KWF002	19.95
HONDA	CT90	(1969-1979)	KWF002	19.95
HONDA	MR175	(1975-1977)	KWF001	19.95
HONDA	MT125	(1974-1976)	KWF001	19.95
HONDA	SL350	(1971-1972)	KWF004	19.95
HONDA	SL70	(1971-1973)	KWF002	19.95
HONDA	SL90	(1969-1969)	KWF002	19.95
HONDA	TL125	(1973-1976)	KWF001	19.95
HONDA	TL250	(1975-1976)	KWF001	19.95
HONDA	XL100	(1974-1978)	KWF001	19.95
HONDA	XL100	(1979-1982)	KWF002	19.95
HONDA	XL125	(1974-1978)	KWF001	19.95
HONDA	XL125	(1979-1985)	KWF002	19.95
HONDA	XL185	(1979-1983)	KWF002	19.95
HONDA	XL200	(1983-1984)	KWF003	19.95
HONDA	XL250	(1978-1987)	KWF003	19.95
HONDA	XL500	(1979-1981)	KWF003	19.95
HONDA	XL70	(1974-1976)	KWF002	19.95
HONDA	XL75	(1977-1979)	KWF002	19.95
HONDA	XL80	(1980-1982)	KWF002	19.95
HONDA	XR100	(1981-1982)	KWF002	19.95
HONDA	XR185	1979	KWF002	19.95
HONDA	XR200	1980	KWF002	19.95
HONDA	XR200	(1981-2001)	KWF003	19.95
HONDA	XR250	(1979-1980)	KWF003	19.95
HONDA	XR500	(1979-1980)	KWF003	19.95
HONDA	XR75	(1973-1976)	KWF001	19.95
HONDA	XR75	(1977-1978)	KWF002	19.95
HONDA	XR80	(1979-1982)	KWF002	19.95
KAWASAKI	KD125	(1975-1979)	KWF009	19.95
KAWASAKI	KD175	(1976-1979)	KWF009	19.95
KAWASAKI	KDX175	(1980-1982)	KWF010	19.95
KAWASAKI	KLX250	(1979-1980)	KWF010	19.95
KAWASAKI	KX125	(1974-1976)	KWF009	19.95
KAWASAKI	KX125	(1978-1981)	KWF010	19.95
KAWASAKI	KX250	(1974-1976)	KWF011	19.95

KAWASAKI	KX250	(1978-1981)	KWF012	19.95
KAWASAKI	KX400	(1975-1976)	KWF011	19.95
KAWASAKI	KX420	(1980-1981)	KWF012	19.95
YAMAHA	YZ125	(1976-1981)	KWF016	19.95
YAMAHA	YZ250	(1974-1981)	KWF016	19.95
YAMAHA	YZ360	(1974-1975)	KWF016	19.95
YAMAHA	YZ400	(1976-1979)	KWF016	19.95
YAMAHA	YZ465	(1980-1981)	KWF016	19.95

Rear Wheel Bearing Kits



VintCo has all new rear wheel bearing kits to help you keep the ride going! These rear wheel bearing kits are made with modern materials and manufacturing techniques to ensure an as good or better than OEM fitment and performance. The rear wheel bearing kits include both of the high quality bearings and seals you need to complete your build with ease. The OEM part numbers are provided as a reference to ensure exact fitment (online at www.vintco.com).

DIRT					
*HONDA	CR125	(1974-1978)	KWR001	34.95
*HONDA	CR125	(1979-1981)	KWR002	34.95
*HONDA	CR250	(1973-1976)	KWR003	34.95
*HONDA	CR250	(1978-1981)	KWR004	34.95
*HONDA	CR450	1981	KWR004	34.95
*HONDA	MR175	(1975-1977)	KWR001	34.95
*HONDA	MR250	1976	KWR003	34.95
*HONDA	TL250	(1975-1976)	KWR001	34.95
KAWASAKI	KD125	(1975-1979)	KWR007	19.95
KAWASAKI	KD175	(1976-1979)	KWR007	19.95
KAWASAKI	KDX175	(1980-1982)	KWR009	24.95
KAWASAKI	KDX250	1980	KWR013	24.95
KAWASAKI	KDX400	(1979-1980)	KWR013	24.95
KAWASAKI	KE125	(1976-1983)	KWR007	19.95
KAWASAKI	KE175	(1976-1978)	KWR007	19.95
KAWASAKI	KE250	(1977-1979)	KWR011	26.95
KAWASAKI	KLR250	(1978-1979)	KWR011	26.95
KAWASAKI	KLX250	(1979-1980)	KWR009	24.95
KAWASAKI	KS125	(1974-1975)	KWR007	19.95
KAWASAKI	KX125	(1974-1976)	KWR007	19.95
KAWASAKI	KX125	(1978-1983)	KWR008	24.95
KAWASAKI	KX125	(1980-1981)	KWR009	24.95
KAWASAKI	KX250	(1975-1976)	KWR011	26.95
KAWASAKI	KX250	(1978-1979)	KWR012	24.95
KAWASAKI	KX250	(1980-1981)	KWR013	24.95
KAWASAKI	KX250	(1983-1984)	KWR008	24.95
KAWASAKI	KX400	(1975-1976)	KWR011	26.95
KAWASAKI	KX420	(1980-1981)	KWR013	24.95
KAWASAKI	KX500	(1983-1984)	KWR008	24.95
SUZUKI	DR100	(1983-1990)	KWR014	19.95
SUZUKI	DR125	(1982-1988)	KWR014	19.95
SUZUKI	DR200	(1986-1988)	KWR014	19.95
SUZUKI	DS100	(1978-1981)	KWR014	19.95
SUZUKI	DS125	(1979-1981)	KWR014	19.95
SUZUKI	DS185	(1978-1980)	KWR014	19.95
SUZUKI	PE175	(1978-1979)	KWR014	19.95
SUZUKI	RM100	(1976-1978)	KWR014	19.95
SUZUKI	RM125	(1975-1977)	KWR014	19.95
SUZUKI	SP100	1983	KWR014	19.95
SUZUKI	SP125	(1982-1988)	KWR014	19.95
SUZUKI	SP200	(1986-1988)	KWR014	19.95

SUZUKI	TC100	(1973-1977)	KWR014	19.95
SUZUKI	TC125	(1972-1977)	KWR014	19.95
SUZUKI	TC185	(1974-1977)	KWR014	19.95
SUZUKI	TM100	(1974-1975)	KWR014	19.95
SUZUKI	TM125	(1973-1975)	KWR014	19.95
SUZUKI	TS100	(1973-1981)	KWR014	19.95
SUZUKI	TS125	(1971-1981)	KWR014	19.95
SUZUKI	TS185	(1971-1981)	KWR014	19.95
SUZUKI	YZ125	(1980-1981)	KWR025	19.95
SUZUKI	YZ250	(1974-1979)	KWR026	26.95
YAMAHA	YZ250	1980	KWR027	24.95
YAMAHA	YZ250	1981	KWR028	26.95
YAMAHA	YZ360	(1974-1975)	KWR026	26.95
YAMAHA	YZ400	(1976-1979)	KWR026	26.95
YAMAHA	YZ465	1980	KWR026	26.95
YAMAHA	YZ465	1981	KWR028	26.95

Wrist Pin Bearings



VintCo has all new wrist pin bearings to help you keep the ride going! These bearings are made with modern materials and manufacturing techniques to ensure an as good or better than OEM fitment and performance.

DIRT				
BULTACO	250	(1978-1979)	BNW018	19.95
BULTACO	360	(1975-1981)	BNW018	19.95
BULTACO	370	(1975-1981)	BNW018	19.95
BULTACO	350 Alpina	(1973-1975)	BNW018	19.95
BULTACO	350 Astro	1973	BNW018	19.95
BULTACO	350 Pursang	(1972-1973)	BNW018	19.95
BULTACO	350 Sherpa T	(1973-1975)	BNW018	19.95
BULTACO	350/360 El Bandido	(1967-1970)	BNW018	19.95
BULTACO	350/360 El Montadero	(1970-1972)	BNW018	19.95
BULTACO	360 Astro	1974	BNW018	19.95
BULTACO	360 Fronetra 14300001 to 14302352	1975	BNW018	19.95
BULTACO	360 Pursang	1974	BNW018	19.95
BULTACO	360 Pursang 13600001 to 13601300	1975	BNW018	19.95
CZ	Cz380	(1971-1981)	BNW015	19.95
HODAKA	ACE100	(1967-1969)	BNW019	19.95
HODAKA	ACE100B	(1970-1972)	BNW019	19.95
HODAKA	COMBAT WOMBAT	1973	BNW013	19.95
HODAKA	DIRT SQUIRT	(1973-1974)	BNW019	19.95
HODAKA	SUPER COMBAT	1974	BNW013	19.95
HODAKA	SUPER RAT	(1969-1972)	BNW019	19.95
HODAKA	WOMBAT	(1972-1973)	BNW013	19.95
HONDA	CR125	(1974-1984)	BNW002	19.95
HONDA	CR125	(1985-1987)	BNW023	19.95
HONDA	CR125	(1988-2007)	BNW024	19.95
HONDA	CR250	(1972-2007)	BNW008	19.95
HONDA	CR450	1981	BNW022	19.95
HONDA	CR480	(1982-1983)	BNW022	19.95
HONDA	CR500	(1984-2001)	BNW022	19.95
HONDA	CR60R	(1983-1984)	BNW021	19.95
HONDA	CR80R	(1980-1984)	BNW021	19.95
HONDA	CR80R	(1986-2002)	BNW026	19.95
HONDA	CR80RB	(1996-2002)	BNW026	19.95
HONDA	CR85R	(2003-2007)	BNW026	19.95

HONDA	CR85RB	(2003-2007)	BNW026	19.95
HONDA	MR250	1976	BNW008	19.95
HONDA	MT125	(1974-1978)	BNW002	19.95
HONDA	MT125	1977	BNW002	19.95
HONDA	MT250	(1974-1976)	BNW008	19.95
HUSQVARNA	250	(1962-1971)	BNW008	19.95
HUSQVARNA	360 AUTO	(1976-1977)	BNW008	19.95
HUSQVARNA	390ACC	(1979-1980)	BNW008	19.95
HUSQVARNA	390AMX	1978	BNW008	19.95
HUSQVARNA	CR125	(1972-1981)	BNW014	19.95
HUSQVARNA	CR250 MAG	(1974-1977)	BNW008	19.95
HUSQVARNA	CR360	(1972-1976)	BNW008	19.95
HUSQVARNA	CR390	(1977-1980)	BNW008	19.95
HUSQVARNA	CR400	(1972-1974)	BNW008	19.95
HUSQVARNA	CR430	1981	BNW008	19.95
HUSQVARNA	CR450	(1972-1975)	BNW017	19.95
HUSQVARNA	OR250	(1978-1980)	BNW008	19.95
HUSQVARNA	OR390	(1978-1980)	BNW008	19.95
HUSQVARNA	RT360	(1973-1975)	BNW017	19.95
HUSQVARNA	SC125	1974	BNW014	19.95
HUSQVARNA	WR125	(1972-1981)	BNW014	19.95
HUSQVARNA	WR250	(1972-1981)	BNW008	19.95
HUSQVARNA	WR360	(1976-1977)	BNW008	19.95
HUSQVARNA	WR390	(1978-1980)	BNW008	19.95
HUSQVARNA	WR400	(1974-1975)	BNW008	19.95
HUSQVARNA	WR430	1981	BNW008	19.95
HUSQVARNA	WR450	(1972-1975)	BNW017	19.95
HUSQVARNA	XC250	1981	BNW008	19.95
HUSQVARNA	Xc430	1981	BNW008	19.95
KAWASAKI	KD125	(1974-1979)	BNW002	19.95
KAWASAKI	KDX175	(1980-1982)	BNW005	19.95
KAWASAKI	KDX200	1983	BNW005	19.95
KAWASAKI	KDX250	(1980-1994)	BNW009	19.95
KAWASAKI	KDX400	(1979-1980)	BNW027	19.95
KAWASAKI	KDX420	1981	BNW027	19.95
KAWASAKI	KDX450	1982	BNW027	19.95
KAWASAKI	KE125	(1974-1983)	BNW002	19.95
KAWASAKI	KS125	(1974-1975)	BNW002	19.95
KAWASAKI	KT250	(1975-1976)	BNW009	19.95
KAWASAKI	KX125	(1974-1976)	BNW002	19.95
KAWASAKI	KX125	(1978-1980)	BNW003	19.95
KAWASAKI	KX125	(1981-1993)	BNW005	19.95
KAWASAKI	KX125	(1994-1997)	BNW024	19.95
KAWASAKI	KX125	(1998-2005)	BNW013	19.95
KAWASAKI	KX250	(1974-2008)	BNW009	19.95
KAWASAKI	KX420	(1980-1981)	BNW027	19.95
KAWASAKI	KX500	(1983-2004)	BNW027	19.95
KAWASAKI	KX60	(1983-2003)	BNW028	19.95
KAWASAKI	Kx80	(1982-1985)	BNW029	19.95
KAWASAKI	KX80 US Bore	(1988-1997)	BNW029	19.95
KTM	250	(1977-1982)	BNW009	19.95
KTM	390	(1979-1981)	BNW016	19.95
KTM	420	(1980-1981)	BNW016	19.95
KTM	495	1981	BNW016	19.95
MAICO	GS400	(1978-1979)	BNW009	19.95
MAICO	GS440	(1978-1979)	BNW009	19.95
MAICO	MC250	(1973-1981)	BNW009	19.95

MAICO	MC360	(1968-1969)	BNW009	19.95
MAICO	MC400	(1970-1981)	BNW009	19.95
MAICO	MC440	(1973-1980)	BNW009	19.95
MAICO	MC490	(1981-1982)	BNW009	19.95
SUZUKI	PE250	(1977-1981)	BNW011	19.95
SUZUKI	RM125	(1975-1986)	BNW002	19.95
SUZUKI	RM125	1976	BNW005	19.95
SUZUKI	RM125	(1988-2011)	BNW014	19.95
SUZUKI	RM250	(1976-2013)	BNW011	19.95
SUZUKI	RM250	1981	BNW007	19.95
SUZUKI	RM370	(1976-1977)	BNW011	19.95
SUZUKI	RM400	1978	BNW011	19.95
SUZUKI	RM400	(1979-1980)	BNW007	19.95
SUZUKI	RM465	(1981-1982)	BNW011	19.95
SUZUKI	RM500	(1983-1984)	BNW011	19.95
SUZUKI	RM80	(1983-2001)	BNW026	19.95
SUZUKI	RMX250	(1989-1998)	BNW011	19.95
SUZUKI	RS250	(1980-1981)	BNW011	19.95
YAMAHA	AT1	(1969-1971)	BNW003	19.95
YAMAHA	AT2	1972	BNW003	19.95
YAMAHA	AT3	(1972-1973)	BNW003	19.95
YAMAHA	ATM1	1970	BNW003	19.95
YAMAHA	CT1	(1969-1971)	BNW003	19.95
YAMAHA	CT2	1972	BNW003	19.95
YAMAHA	CT3	(1972-1973)	BNW003	19.95
YAMAHA	DT125	(1974-1975)	BNW003	19.95
YAMAHA	DT175	(1974-1975)	BNW003	19.95
YAMAHA	DT250	(1975-1979)	BNW008	19.95
YAMAHA	DT400	(1975-1976)	BNW008	19.95
YAMAHA	IT125	(1980-1981)	BNW003	19.95
YAMAHA	IT175	(1977-1982)	BNW003	19.95
YAMAHA	IT250	(1977-1982)	BNW008	19.95
YAMAHA	IT400	(1976-1978)	BNW008	19.95
YAMAHA	IT465	1981	BNW011	19.95
YAMAHA	MX125	(1974-1976)	BNW003	19.95
YAMAHA	MX175	(1974-1975)	BNW003	19.95
YAMAHA	MX250	1975	BNW008	19.95
YAMAHA	MX360	(1973-1974)	BNW008	19.95
YAMAHA	MX400	1975	BNW008	19.95
YAMAHA	RT1	(1970-1971)	BNW008	19.95
YAMAHA	RT2	1971	BNW008	19.95
YAMAHA	RT3	1973	BNW008	19.95
YAMAHA	TY175	(1974-1975)	BNW003	19.95
YAMAHA	TY250	(1976-1977)	BNW008	19.95
YAMAHA	YZ100	(1977-1981)	BNW003	19.95
YAMAHA	YZ125	(1974-1981)	BNW003	19.95
YAMAHA	YZ175	1976	BNW003	19.95
YAMAHA	YZ250	(1976-1981)	BNW008	19.95
YAMAHA	YZ360	(1974-1975)	BNW008	19.95
YAMAHA	YZ400	(1976-1978)	BNW008	19.95
YAMAHA	YZ400	1979	BNW011	19.95
YAMAHA	YZ465	(1980-1981)	BNW011	19.95

3/4 Wheeler

HONDA	ATC250R	(1981-1986)	BNW008	19.95
HONDA	FL250 (ODYSSEY)	(1977-1984)	BNW008	19.95

STREET

HONDA	MB5	1982	BNW021	19.95
HONDA	NS50F	1990	BNW021	19.95
HONDA	NSR50R	2004	BNW021	19.95
KAWASAKI	H1-500	(1969-1975)	BNW004	19.95
KAWASAKI	H2-750	(1972-1975)	BNW006	19.95
KAWASAKI	H2-750 RACE	(1972-1975)	BNW012	19.95
KAWASAKI	KH500	1976	BNW004	19.95
YAMAHA	RD350	(1973-1975)	BNW004	19.95
YAMAHA	RD400	(1976-1979)	BNW004	19.95
YAMAHA	TZ125	1980	BNW003	19.95

Reed Valve Kits



Worn reeds can have your bike running poorly and be hard to start. Worn or damaged reeds can put an end to your day of riding and be a big hassle. Properly working reeds are a must and VintCo has the solution. These all new Reed Valve Kits are made with modern materials and manufacturing techniques to ensure an as good or better than OEM fitment and performance. The high quality Cloth Weave Reed Material is CNC machined in the USA and is an upgrade over stock.

HONDA	CR125	(1979-2001)	RVH003	29.95
HONDA	CR125	(2002-2004)	RVH004	35.95
HONDA	CR125	(2005-2007)	RVH005	35.95
HONDA	CR250	(1988-1998)	RVH006	35.95
HONDA	CR250	(1999-2001)	RVH007	35.95
HONDA	CR250	(2004-2004)	RVH008	35.95
HONDA	CR250	(2005-2007)	RVH009	35.95
HONDA	CR500	(1984-1988)	RVH010	39.95
HONDA	CR500	(1989-2001)	RVH011	39.95
HONDA	CR60R	(1983-1984)	RVH001	29.95
HONDA	CR80R	(1982-1985)	RVH001	29.95
HONDA	CR80R	(1986-2002)	RVH002	35.95
HONDA	CR80RB	(1996-2002)	RVH002	35.95
HONDA	CR85R	(2003-2004)	RVH002	35.95
HONDA	CR85RB	(2003-2004)	RVH002	35.95
HUSQVARNA	CR125	(1982-1987)	RVU001	35.95
HUSQVARNA	CR250	(1982-1987)	RVU002	39.95
HUSQVARNA	WR125	(1982-1987)	RVU001	35.95
HUSQVARNA	WR250	(1982-1986)	RVU002	39.95
HUSQVARNA	XC125	(1984-1986)	RVU001	35.95
HUSQVARNA	XC250	(1982-1986)	RVU002	39.95
KAWASAKI	KDX175	(1980-1982)	RVK013	29.95
KAWASAKI	KDX200	(1983-1987)	RVK003	35.95
KAWASAKI	KDX250	(1980-1981)	RVK013	29.95
KAWASAKI	KDX250	(1982-1984)	RVK012	39.95
KAWASAKI	KDX250	(1991-1994)	RVK008	39.95
KAWASAKI	KDX400	(1979-1980)	RVK013	29.95
KAWASAKI	KDX420	1981	RVK013	29.95
KAWASAKI	KDX450	1982	RVK013	29.95
KAWASAKI	KDX80	(1980-1988)	RVK014	29.95
KAWASAKI	KE175	(1980-1983)	RVK014	29.95
KAWASAKI	KX125	(1979-1981)	RVK013	29.95
KAWASAKI	KX125	(1982-1992)	RVK003	35.95
KAWASAKI	KX125	(1993-2003)	RVK006	35.95
KAWASAKI	KX125	(1994-1996)	RVK004	35.95
KAWASAKI	KX125	(1997-2002)	RVK005	35.95
KAWASAKI	KX125	(2004-2005)	RVK007	35.95

KAWASAKI	Kx250	(1979-1981)	RVK013	29.95
KAWASAKI	KX250	1982	RVK012	39.95
KAWASAKI	KX250	(1983-1996)	RVK008	39.95
KAWASAKI	KX250	(2001-2004)	RVK009	35.95
KAWASAKI	KX250	(2005-2007)	RVK015	39.95
KAWASAKI	KX420	(1980-1981)	RVK013	29.95
KAWASAKI	KX500	(1983-1985)	RVK010	35.95
KAWASAKI	KX500	(1986-2004)	RVK011	39.95
KAWASAKI	KX60	(1983-2003)	RVK001	35.95
KAWASAKI	KX65	(2000-2017)	RVK001	35.95
KAWASAKI	KX80	(1979-1985)	RVK014	29.95
KAWASAKI	Kx80	(1986-1987)	RVK002	35.95
SUZUKI	DS80	(1978-1982)	RVS013	19.95
SUZUKI	PE175	(1980-1984)	RVS010	19.95
SUZUKI	PE250	(1980-1981)	RVS012	19.95
SUZUKI	PE400	(1980-1981)	RVS012	19.95
SUZUKI	RM100	1977	RVS011	24.95
SUZUKI	RM100	(1979-1981)	RVS010	19.95
SUZUKI	RM125	1976	RVS011	24.95
SUZUKI	RM125	(1979-1980)	RVS010	19.95
SUZUKI	RM125	(1984-1986)	RVS002	24.95
SUZUKI	RM125	1989	RVS003	35.95
SUZUKI	RM125	(1990-2008)	RVS004	35.95
SUZUKI	RM250	(1976-1978)	RVS011	24.95
SUZUKI	RM250	(1979-1980)	RVS012	19.95
SUZUKI	RM250	(1981-1986)	RVS015	28.95
SUZUKI	RM250	(1987-1988)	RVS005	35.95
SUZUKI	RM250	(1989-1990)	RVS006	35.95
SUZUKI	RM250	(1991-1992)	RVS007	35.95
SUZUKI	RM250	(1993-1995)	RVS008	39.95
SUZUKI	RM250	(1996-2007)	RVS009	35.95
SUZUKI	RM370	(1976-1977)	RVS011	24.95
SUZUKI	RM400	1978	RVS011	24.95
SUZUKI	RM400	(1979-1980)	RVS012	19.95
SUZUKI	RM465	(1981-1982)	RVS015	28.95
SUZUKI	RM50	(1978-1979)	RVS013	19.95
SUZUKI	RM500	(1983-1984)	RVS015	28.95
SUZUKI	RM60	(1979-1983)	RVS013	19.95
SUZUKI	RM60	(2003-2003)	RVS017	35.95
SUZUKI	RM65	(2003-2005)	RVS017	35.95
SUZUKI	RM80	(1977-1985)	RVS013	19.95
SUZUKI	RM80	(1986-1988)	RVS001	24.95
SUZUKI	RMX250	(1989-1992)	RVS006	35.95
SUZUKI	RMX250	(1993-1998)	RVS008	39.95
SUZUKI	RS175	(1980-1982)	RVS010	19.95
SUZUKI	RS250	(1980-1981)	RVS012	19.95
SUZUKI	TS185	(1977-1981)	RVS011	24.95
SUZUKI	Ts250	(1977-1981)	RVS011	24.95
YAMAHA	125DTE	(1978-1981)	RVY003	29.95
YAMAHA	125DTF	(1978-1981)	RVY003	29.95
YAMAHA	125DTLC	(1978-1981)	RVY003	29.95
YAMAHA	125DTMX	(1978-1981)	RVY003	29.95
YAMAHA	DT100	(1974-1980)	RVY003	29.95
YAMAHA	DT175	(1974-1981)	RVY003	29.95
YAMAHA	DT2	1972	RVY004	29.95
YAMAHA	DT3	1973	RVY004	29.95
YAMAHA	IT125	(1980-1981)	RVY004	29.95

YAMAHA	IT175	(1977-1979)	RVY004	29.95
YAMAHA	IT175	(1980-1982)	RVY008	29.95
YAMAHA	IT200	(1984-1986)	RVY008	29.95
YAMAHA	IT250	(1979-1983)	RVY012	29.95
YAMAHA	IT400	1976	RVY012	29.95
YAMAHA	IT425	1980	RVY012	29.95
YAMAHA	IT465	(1981-1982)	RVY012	29.95
YAMAHA	IT490	(1983-1984)	RVY012	29.95
YAMAHA	MX100	(1979-1983)	RVY003	29.95
YAMAHA	MX125	1976	RVY004	29.95
YAMAHA	MX175	(1979-1981)	RVY003	29.95
YAMAHA	MX250	1975	RVY012	29.95
YAMAHA	MX400	1975	RVY012	29.95
YAMAHA	PW50	(1981-2021)	RVY017	16.95
YAMAHA	RT100	1990	RVY003	29.95
YAMAHA	RT180	(1990-1998)	RVY003	29.95
YAMAHA	RT2	1972	RVY004	29.95
YAMAHA	RT3	1973	RVY004	29.95
YAMAHA	TY250	(1974-1977)	RVY003	29.95
YAMAHA	WR200R	1992	RVY008	29.95
YAMAHA	WR250	1991	RVY012	29.95
YAMAHA	WR500	(1992-1993)	RVY013	39.95
YAMAHA	YZ100	(1978-1983)	RVY004	29.95
YAMAHA	YZ125	(1976-1978)	RVY004	29.95
YAMAHA	YZ125	(1980-1993)	RVY008	29.95
YAMAHA	YZ125	(1988-1992)	RVY009	35.95
YAMAHA	YZ125	(1994-2000)	RVY010	35.95
YAMAHA	YZ125	(2001-2021)	RVY011	35.95
YAMAHA	YZ125X	(2020-2021)	RVY011	35.95
YAMAHA	YZ250	(1977-1996)	RVY012	29.95
YAMAHA	YZ250	1983	RVY014	39.95
YAMAHA	YZ250	(1984-1988)	RVY013	39.95
YAMAHA	YZ250	1989	RVY009	35.95
YAMAHA	YZ250	(1997-2021)	RVY015	39.95
YAMAHA	YZ400	1979	RVY012	29.95
YAMAHA	YZ465	(1980-1981)	RVY012	29.95
YAMAHA	YZ490	(1982-1983)	RVY012	29.95
YAMAHA	YZ490	(1984-1990)	RVY013	39.95
YAMAHA	YZ60	(1981-1982)	RVY003	29.95
YAMAHA	YZ80	(1976-1979)	RVY003	29.95
YAMAHA	YZ80	(1980-1984)	RVY004	29.95
YAMAHA	YZ80	(1985-1986)	RVY005	35.95
YAMAHA	YZ80	(1987-1992)	RVY006	35.95
YAMAHA	YZ80	(1993-2001)	RVY007	35.95
YAMAHA	YZ85	(2002-2017)	RVY007	35.95
3/4 Wheeler				
KAWASAKI	KTX 250 TECATE	(1984-1988)	RVK008	39.95
KAWASAKI	KXF250	(1987-1988)	RVK008	39.95
SUZUKI	LT250R	(1985-1986)	RVS015	28.95
SUZUKI	LT250R Quadracer	1987	RVS015	28.95
SUZUKI	LT250R Quadracer	(1988-1992)	RVS006	35.95
SUZUKI	LT500R	1987	RVS015	28.95
SUZUKI	LT500R	(1988-1990)	RVS016	35.95
SUZUKI	LT80 (QuadSport)	(1987-2006)	RVS014	20.95
YAMAHA	YF60	1986	RVY017	16.95
YAMAHA	YFS200 Blaster	(1991-2006)	RVY006	35.95
YAMAHA	YTZ250 (TRI-Z)	1986	RVY009	35.95

Cylinder Sleeves



For many vintage bikes out there it can be hard to find a replacement cylinder. A new Cylinder Sleeve can save a vintage bike's life. VintCo offers high quality USA made, cast-iron Cylinder Sleeves for your vintage machine. These high quality Cylinder Sleeves are made with modern materials and manufacturing techniques to ensure an as good or better than OEM fitment and performance. All dimensions are provided for an experienced and qualified machinist to install in your cylinder. The ports are angled correctly so there is significantly less port matching work required than in other sleeves. This sleeve will be able to be bored and honed to your stock size VintCo piston kit. A new, high-quality, cast-iron Cylinder Sleeve can help your vintage bike run like new. VintCo helps you keep the ride going!

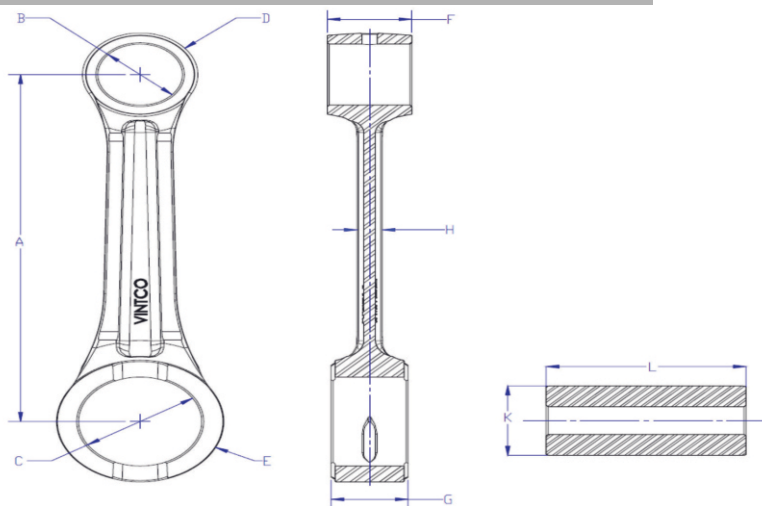
HONDA	Cr125	(1975-1978)	SLH01A 144.95
HONDA	CR250	(1973-1974)	SLH04A 144.95
HONDA	CR250	(1978-1980)	SLH06A 154.95
HONDA	CR250	(1981-1983)	SLH07A 154.95
HONDA	CR80R	(1980-1982)	SLH08A 134.95
HUSQVARNA	MT125	1977	SLH01A 144.95
HUSQVARNA	360 AUTO	(1976-1977)	SLU05A 174.95
HUSQVARNA	CR125	(1972-1973)	SLU06A 154.95
HUSQVARNA	CR250	1973	SLU01A 184.95
HUSQVARNA	CR250	(1975-1977)	SLU01B 194.95
HUSQVARNA	CR360	(1975-1976)	SLU05A 174.95
HUSQVARNA	CR400	(1971-1974)	SLU04A 174.95
HUSQVARNA	CR450	(1972-1975)	SLU08A 144.95
HUSQVARNA	WR125	(1972-1973)	SLU06A 154.95
HUSQVARNA	WR250	1974	SLU01A 184.95
HUSQVARNA	WR250	(1975-1977)	SLU01B 194.95
HUSQVARNA	WR360	(1976-1977)	SLU05A 174.95
HUSQVARNA	WR400	(1974-1975)	SLU04A 174.95
HUSQVARNA	WR450	(1972-1975)	SLU08A 144.95
KTM	175	(1973-1975)	SLT03A 184.95
MAICO	GS440	(1978-1979)	SLM03A 174.95
MAICO	MC250	(1973-1981)	SLM01A 174.95
MAICO	MC400	(1974-1981)	SLM02A 174.95
MAICO	MC440	(1973-1980)	SLM03A 174.95
MAICO	MC490	1981	SLM04A 184.95
SUZUKI	DS250	1980	SLS09A 154.95
SUZUKI	PE175	(1980-1984)	SLS08A 154.95
SUZUKI	PE250	(1977-1981)	SLS03A 154.95
SUZUKI	RL250	(1974-1975)	SLS09A 154.95
SUZUKI	RM125	(1977-1978)	SLS01A 144.95
SUZUKI	RM125	(1979-1980)	SLS01B 144.95
SUZUKI	RM125	1981	SLS06A 144.95
SUZUKI	RM250	(1977-1981)	SLS03A 154.95
SUZUKI	RM370	(1976-1977)	SLS04A 184.95
SUZUKI	RM400	(1978-1980)	SLS05A 144.95
SUZUKI	RM80	(1977-1981)	SLS10A 134.95
SUZUKI	RS250	(1980-1981)	SLS03A 154.95
SUZUKI	TS250	(1973-1981)	SLS09A 154.95
YAMAHA	IT175	(1977-1979)	SLY08A 154.95
YAMAHA	IT250	1981	SLY09A 154.95
YAMAHA	IT400	1976	SLY04A 174.95
YAMAHA	YZ125	(1974-1976)	SLY01A 144.95
YAMAHA	YZ125	1980	SLY01B 144.95
YAMAHA	YZ175	(1977-1979)	SLY08A 154.95
YAMAHA	YZ250	(1980-1981)	SLY09A 154.95
YAMAHA	YZ400	(1976-1978)	SLY04A 174.95
YAMAHA	YZ465	(1980-1981)	SLY06A 194.95

YAMAHA	YZ80	1976	SLY11A	134.95
YAMAHA	YZ80	1977	SLY11B	134.95
YAMAHA	YZ80	1980	SLY11C	134.95
YAMAHA	YZ80	1981	SLY12A	134.95

Street

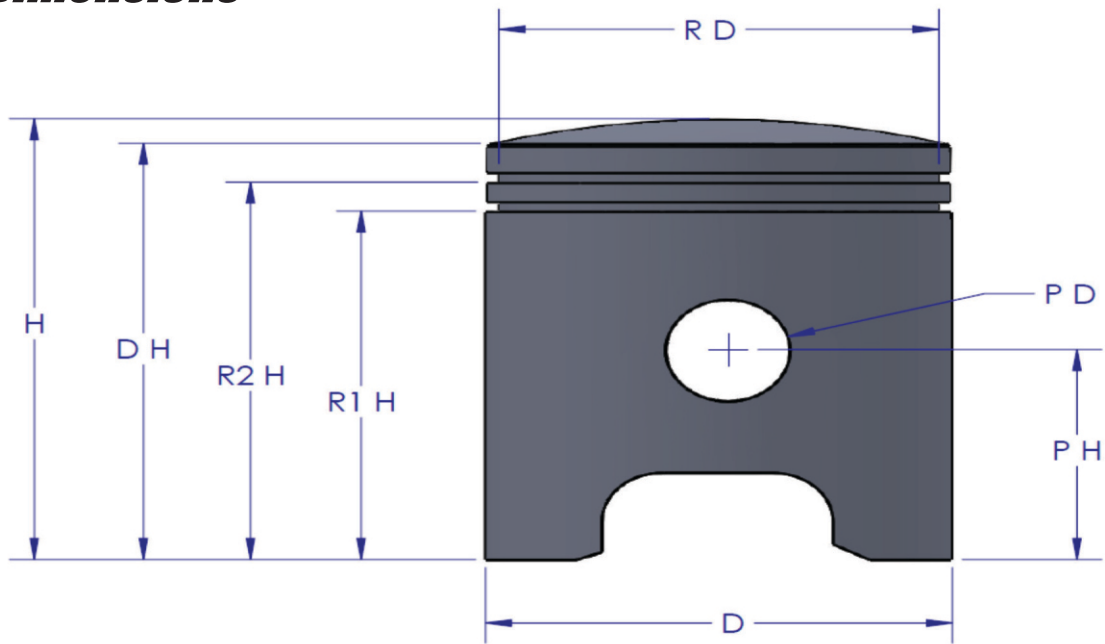
KAWASAKI	H1-500	(1969-1975)	SLK01A	194.95
KAWASAKI	KH500	1976	SLK01A	194.95
KAWASAKI	H2-750	(1972-1975)	SLK02A	154.95

Connecting Rod Dimensions



ROD KIT PART #	ROD PART #	B to B BORE	SMALL END BORE	BIG END OD	SMALL END OD	BIG END WIDTH	SMALL END WIDTH	BIG END THICKNESS	BEAM DIAMETER	CRANK PIN LENGTH	CRANK PIN
	A	B	C	D	E	F	G	H	K	L	
KR2003	RC2003	100	18	28	24.3	37.8	17.9	15.95	5.8	22	54
KR2004	RC2004	121	22	31	29.3	41.6	20	16.75	8	24	51.5
KR2005	RC2005	100	18	26	24.5	34.4	17.9	15.95	5.2	20	54.7
KR2006	RC2006	105	20	28	27.2	36.8	18	15.95	6.9	22	54.5
KR2007	RC2007	125.3	22	31	29.3	42.5	20	16.75	7.7	24	51.5
KR2008	RC2008	106	21	29	28.8	40.3	16.9	16.9	6.7	22	50.9
KR2012	RC2012	137	22	32	30.7	44.2	17	17	7.1	25	64
KR2013	RC2013	125	22	32	29.6	43.3	19.95	19.95	6.4	25	59.9
KR2014	RC2014	125	22	32	30	43.5	22	20	6.5	24	58.5
KR2015	RC2015	130	22	29	29.7	43	23.7	15.95	7.2	22	56
KR2016	RC2016	100	19	24	27.2	35.5	19.5	11.95	5.2	18	40
KR2017	RC2017	135	22	32.05	31	42.5	22	16	7.2	25.02	52
KR2018	RC2017	135	22	32.05	31	42.5	22	16	7.2	25.02	58.3
KR2019	RC2019	120	23	30	30.2	41.2	21.85	20	7	24	59.9
KR2020	RC2020	120	23	30	30.2	41.2	21.85	17	7	24	57.9
KR2021	RC2021	92	19	26	25	35.6	20	12	5.3	20	47.2
KR2022	RC2022	97	19	26	25.5	35.8	20	12	5.9	20	48
KR2023	RC2023	119.7	22	32.05	29.3	42.1	22	16	8	25.02	52
KR2024	RC2024	125	22	32.05	30	42.5	22	16	6.4	25.02	52
KR2025	RC2025	149.75	24	35	32	47.8	22	16	7.8	28	57
KR2026	RC2026	135.85	23	30	30.5	41.2	22	20	7.7	24	69.9
KR2027	RC2007	125.3	22	31	29.3	42.5	20	16.75	7.7	24	56.7
KR2028	RC2028	137.5	23	32	31.5	43.7	20	20	8.7	25	63.9
KR2029	RC2029	137.5	25	32	35	44.5	16.9	16.9	7	25	66
KR2030	RC2020	120	23	30	30.2	41.2	21.85	17	7	24	59.9
OW-CRK-001	RC2001	120	20	30	27.6	40.8	16.5	14.95	6.5	24	STEPPED PIN
OW-CRK-002	RC2001	120	20	30	27.6	40.8	16.5	14.95	6.5	24	59

Piston Dimensions



	PART #	BORE	OD	HEIGHT	1ST RING HEIGHT	2ND RING HEIGHT	DOMES HEIGHT	RING DIAMETER	PIN HOLE DIAMETER	PIN HOLE HEIGHT	B/W BOSSES	RING #	PIN #	CLIP #	CLEARANCE
		D	H	R1 H	R2 H	DH	R D	P D	P H	BB					
		(mm)	(mm)	(mm)	(mm)	(mm)	(mm)	(mm)	(mm)	(mm)	(mm)				(mm)
BULTACO															
	PSB01-00	72	71.94	69.8	60.7	-	65	66	16	36	26.2	RSB7200	WP027	CW16	0.06
HONDA															
	PSH01	56	55.94	65.3	51.9	56.1	60.3	50.7	14	31.5	20.5	RSB5600	WP025	CW14	0.06
	PSH02	56	55.94	61.1	49.9	54.2	58.5	50.7	14	30	20.5	RSB5600	WP025	CW14	0.06
	PSH03	55.5	55.44	61.1	49.9	54.2	58.5	50.2	14	30	20.5	RSB5550	WP025	CW14	0.06
	PSH04	70	69.94	73	60.5	64.7	69	63.7	18	37	23.5	RSB7000	WP033	CW18	0.06
	PSH05	70	69.94	73	60.5	64.7	69	63.7	18	37	23.5	RSB7000	WP033	CW18	0.06
	PSH06	70	69.94	73.5	60.6	64.9	69.5	63.7	18	37	23.5	RSB7000	WP033	CW18	0.06
	PSH07	66	65.94	79.7	66.7	71.5	76.2	60	18	35	23.5	RSB6600	WP033	CW18	0.06
	PSH08	49.5	49.45	54.7	44.2	48	52	44.7	12	25	16.8	RSB4950	WP091	CW12	0.05
HUSQVARNA															
	PSU01	69.5	69.44	72	63.8	-	68	63.2	18	36	26.2	RSB6950	WP033	CW18	0.06
	PSU02	83	82.92	76	71.3	-	76	75.3	18	39	24.5	RSC8300	WP033	CW18	0.08
	PSU03-	55.75	55.69	56.5	50	-	54	50.65	15	29	24.3	RSB5575	WP032	CW15	0.06
	PSU04	82	81.93	82	77.55	-	82	74.3	18	38	30	RSC8200	WP042	CW18	0.07
	PSU06	55	54.95	58.8	52.3	-	56.2	49.85	15	26	24	RSB5500	WP032	CW15	0.05
	PSU07	55	54.95	57.3	51	-	55	49.85	15	29.8	24.4	RSB5500	WP032	CW15	0.05
KAWASAKI															
	PSK01-00	60	59.93	69	56.5	60.7	64.9	54	16	33	24	RSB6000	WP041	CW16	0.07
	PSK02-00	71	70.93	72	59.2	64	68	64.7	16	36	23.5	RSB7100	WP027	CW16	0.07
	PSK04-00	56	55.94	59.7	48	52.2	56.7	50.7	16	27	20	RSB5600	WP036	CW16	0.06
	PSK06-00	70	69.94	74.5	61.3	65.5	69.5	63.7	18	38	25.2	RSB7000	WP033	CW18	0.06
	PSK07-00	56	55.94	66.5	55.8	59.8	64	50.9	14	30	22	RSB5600	WP025	CW14	0.06

	PART #	BORE	OD	HEIGHT	1ST RING HEIGHT	2ND RING HEIGHT	DOVE HEIGHT	RING DIAMETER	PIN HOLE DIAMETER	PIN HOLE HEIGHT	B/W BOSSES	RING #	PIN #	CLIP #	CLEARANCE
		D	H	R1H	R2H	DH	RD	PD	PH	BB					
		(mm)	(mm)	(mm)	(mm)	(mm)	(mm)	(mm)	(mm)	(mm)	(mm)				(mm)
KTM															
	PST01-00	71	70.93	82.5	74	-	78.5	64.7	18	40.5	24.5	RSB7100	WP033	CW18	0.07
	PST02-1.0	55	54.94	72	62.5	-	67	49.9	15	29.5	22.5	RSB5500	WP032	CW15	0.06
	PST03-00	63.5	63.44	68	60	-	64	57.6	15	27	22.5	RSB6350	WP011	CW15	0.06
	PST04-0.5	82.5	82.4	85.5	71.8	76	79.7	74.8	18	42	26	RSC8250	WP042	CW18	0.1
MAICO															
	PSM01-00	67	66.93	85	76	-	80.7	61	18	39	24.5	RSB6700	WP033	CW18	0.07
	PSM02-00	77	76.92	86.5	77	-	81.7	69.9	18	40	25.5	RSC7700	WP039	CA18	0.08
	PSM03-00	82	81.92	86.5	77	-	81.7	74.3	18	40	25.5	RSC8200	WP039	CA18	0.08
	PSM04-00	86.5	86.42	86.5	73.5	77.7	81.7	78.8	18	40	26	RSC8650	WP042	CW18	0.08
SUZUKI															
	PSS01-00	54	53.94	60.3	49.3	52.5	56.5	48.9	14	26	20.5	RSB5400	WP025	CW14	0.06
	PSS03-00	67	66.94	77.5	64	68.8	73	61	18	77.5	22.5	RSB6700	WP033	CW18	0.06
	PSS04-00	77	76.92	86.5	77	-	81.7	69.9	18	40	25.5	RSC7700	WP039	CA18	0.08
	PSS05-0.25	80.25	80.18	86	76.3	-	81	73.15	18	39.5	22.2	RSC8050	WP042	CW18	0.07
	PSS06-00	54	53.94	60.6	48.5	52.7	57	48.9	14	27.5	21	RSB5400	WP025	CW14	0.06
	PSS07-00	56	55.94	66	53.2	57.5	62	50.9	14	33	20.5	RSB5600	WP025	CW14	0.06
	PSS08-00	62	61.94	72.8	60.4	64.6	68.8	56.1	16	37	21.2	RSB6200	WP041	CW16	0.06
	PSS09-1.0	71	70.94	78.5	63	68	73	64.7	18	39	24.5	RSB7100	WP033	CW18	0.06
	PSS10-00	49	48.95	56.5	48.5	-	53	44.2	12	25.5	17.5	RSB4900	WP091	CW12	0.05
	PSS11-00	64	63.93	75	61.5	66	70	58.1	16	38	21.5	RSB6400	WP027	CW16	0.07
YAMAHA															
	PSY01-00	56	55.94	56.5	49.7	-	54	50.7	16	24	20.5	RSB5600	WP036	CW16	0.06
	PSY02-00	70	69.94	71.5	58.9	63.7	68	63.7	18	35	24	RSB7000	WP033	CW18	0.06
	PSY03-00	64	63.94	72	59	63.5	68	58	16	32	23.5	RSB6400	WP027	CW16	0.06
	PSY04-00	85	84.92	79.1	64.3	69.3	74	77.3	18	39	24	RSC8500	WP042	CW18	0.08
	PSY06-00	85	84.92	89	75.3	80.3	85	77.3	18	45	24	RSC8500	WP042	CW18	0.08
	PSY07-00	56	55.94	65.7	54.2	58.2	62.4	50.9	16	32.5	20.5	RSB5600	WP036	CW16	0.06
	PSY08-00	66	65.94	67.2	54.5	58.7	63	60.1	16	33	23.5	RSB6600	WP027	CW16	0.06
	PSY09-00	70	69.94	71.5	58.9	63.7	68	63.7	18	35	24	RSB7000	WP033	CW18	0.06
	PSY10-00	66	65.94	67.2	54.6	58.8	63	60.1	16	33	24	RSB6600	WP027	CW16	0.06
	PSY11-00	49	48.95	56	48.5	-	53	44.2	12	23.5	18	RSB4900	WP091	CW12	0.05
	PSY12-00	49	48.95	53.2	45.8	-	50.2	44.2	12	26	16	RSB4900	WP091	CW12	0.05
	PSY13-00	64	63.93	72	59	63.5	68	58.1	16	32	23.5	RSB6400	WP027	CW16	0.07
	PSY14-00	85	84.92	79.1	64.3	69.3	74	77.3	18	34	24	RSC8500	WP042	CW18	0.08
	PSY16-00	47	46.95	58.3	51.4	-	55.5	42.6	12	26.1	17.3	RSB4700	WP091	CW12	0.05
	PSY17-00	54	53.93	61.8	54.5	-	59	48.9	16	29	22	RSB5400	WP036	CW16	0.07
ROTAX															
	PSR01-00	54	53.95	63	56	-	60	48.9	18	31	22.5	RSB5400	WP117	CW18	0.05
	PSR02-00	62	61.94	66.3	55	59	63	56.1	18	33	22.5	RSB6200	WP040	CW18	0.06
	PSR03-00	74	73.93	75	60.3	64.8	69	67.3	18	35	23.5	RSB7400	WP033	CW18	0.07
SACHS															
	PSC01-00	54	53.94	69	56.5	61	65	48.9	15	27	21	RSB5400	WP032	CW15	0.06
	PSC02-00	53.75	53.69	65	61	-	65	48.65	16	27	21	RSB5400	WP036	CW16	0.06

Ossa Parts

VintCo has an immense number of Ossa parts. Please refer to their website at www.vintco.com to see them all.

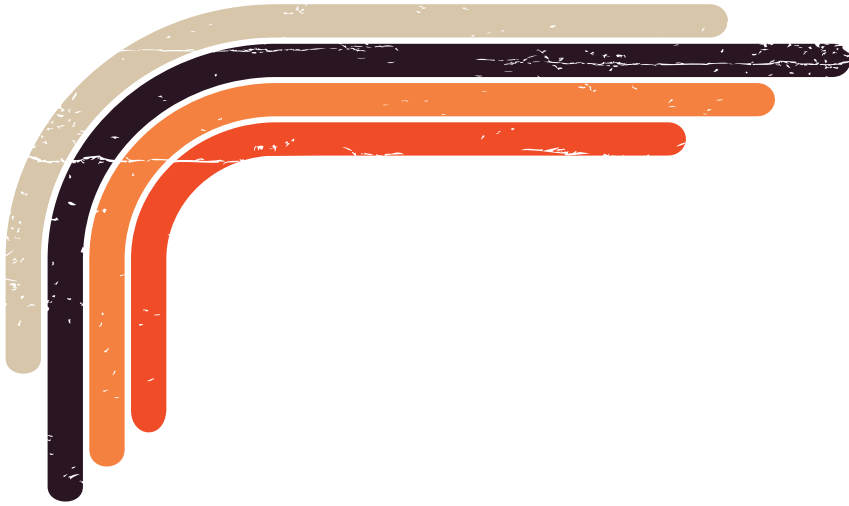


Disclaimer

The information contained within this catalog and the specifications offered are intended to provide information about products available for purchase from VintCo. All reasonable efforts have been made to ensure the accuracy of the information. However, VintCo cannot be held responsible for any errors contained within. VintCo does not warrant the accuracy and reserves the right to make changes to the catalog and its functions at any time without notice. Except where otherwise noted or superseded by process of law, VintCo accepts no responsibility or liability for any losses or damages of any kind arising out of the use of this catalog or any of its related functions.

Terms and Conditions of Use

This catalog is offered on the terms and conditions stated herein. Use of this catalog confirms the user's acceptance of these same terms and conditions.



Vintco

